



Commercial / Industrial Insulated Wall Panel Details

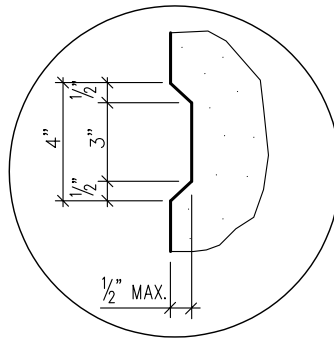
SECTION-1

End-Use Applications:

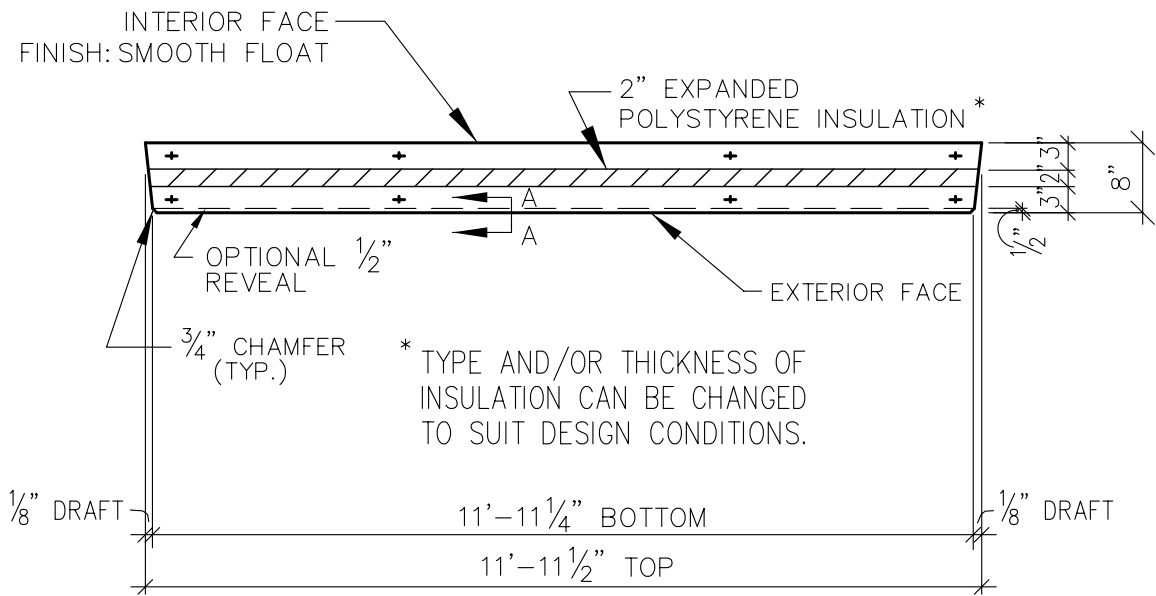
- Warehouse and Distribution
- Schools
- Office Buildings
- Big Box Retail
- Healthcare Facilities
- Grocery Stores
- Refrigerated Storage
- Correctional Facilities
- Manufacturing Plants
- Data Centers
- Multi-Unit Residential
- Just to name a few.....

TYPICAL FLAT WALL
PANEL CROSS SECTION

NOTE:



SECTION A-A
TYPICAL REVEAL



12'-0" INSULATED FLAT PANEL

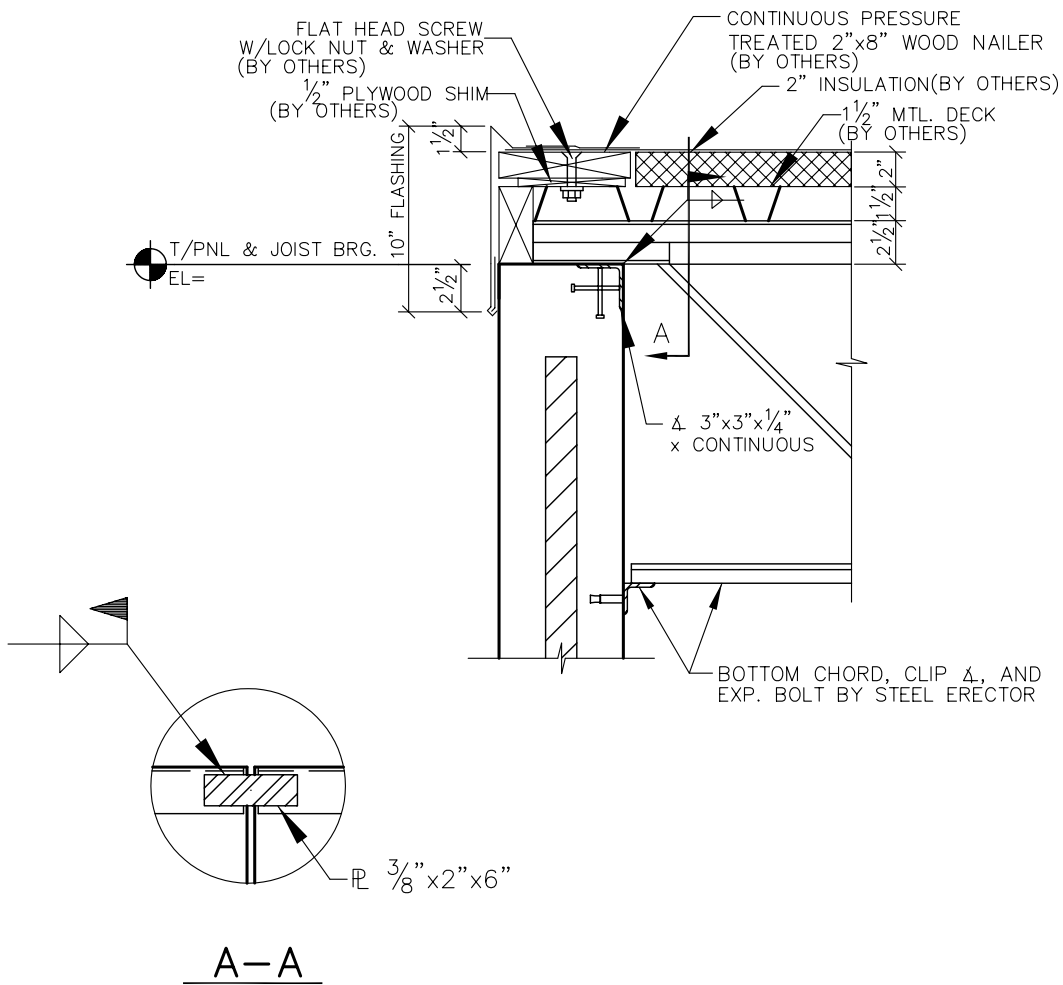
WEIGHT @ 78 lbs/sq. ft.

8'-0" & 10'-0" PANELS ARE ALSO AVAILABLE

REVISIONS:	DATE:	APPROVED FOR PRODUCTION:	FILENAME: DPS-1
	DR:	DATE:	
	CK:	JOB NO.:	

JOIST BEARING CONN.

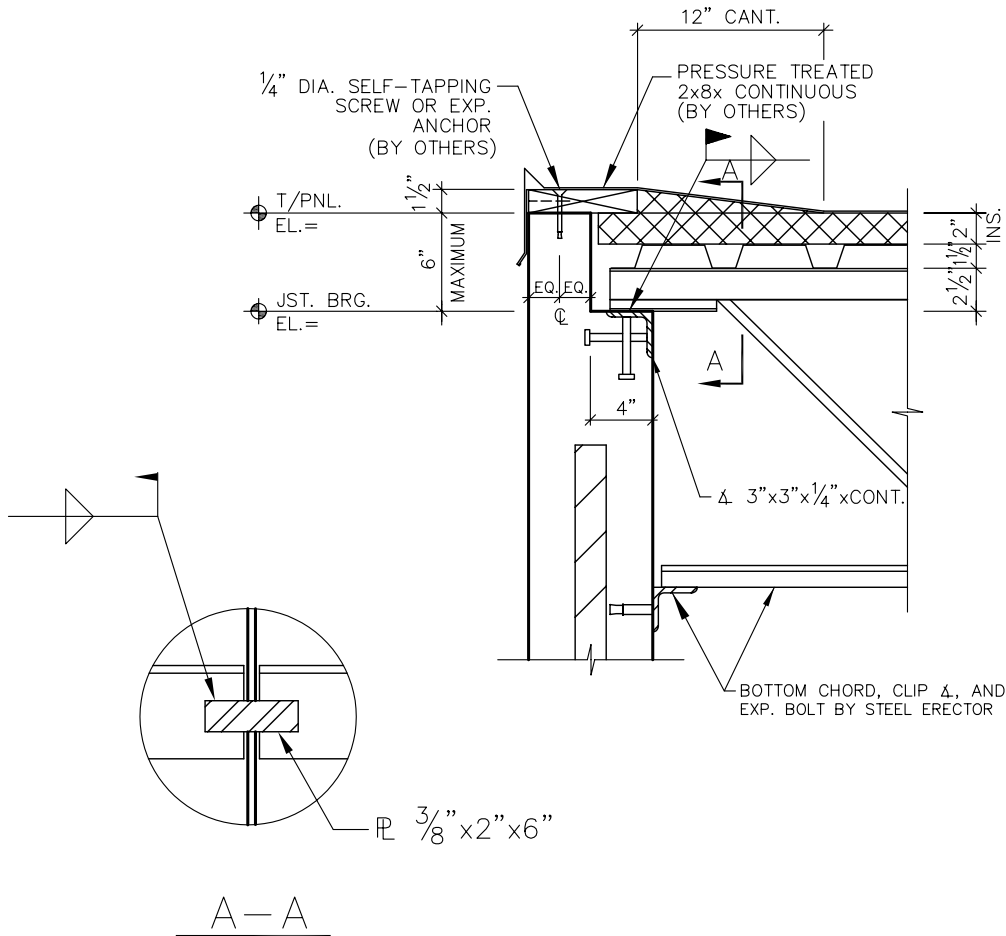
NOTE:



REVISIONS:	DATE:	APPROVED FOR PRODUCTION:	FILENAME: DPR-1
	DR:	DATE:	
	CK:	JOB NO.:	

JOIST BEARING CONN.

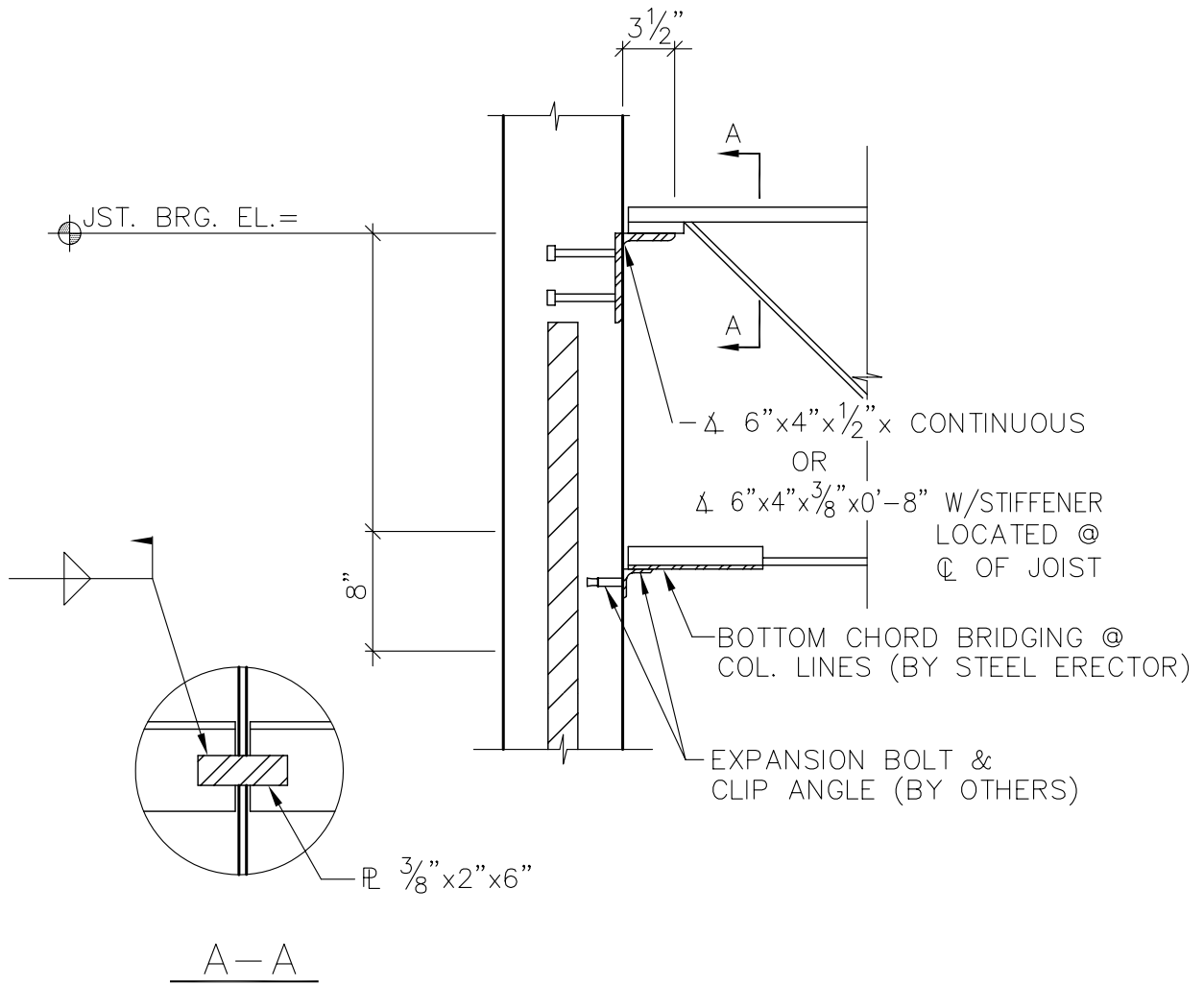
NOTE:



REVISIONS:	DATE:	APPROVED FOR PRODUCTION:	FILENAME: DPR-7
	DR:	DATE:	
	CK:	JOB NO.:	

JOIST BEARING CONN.
@ PARAPET

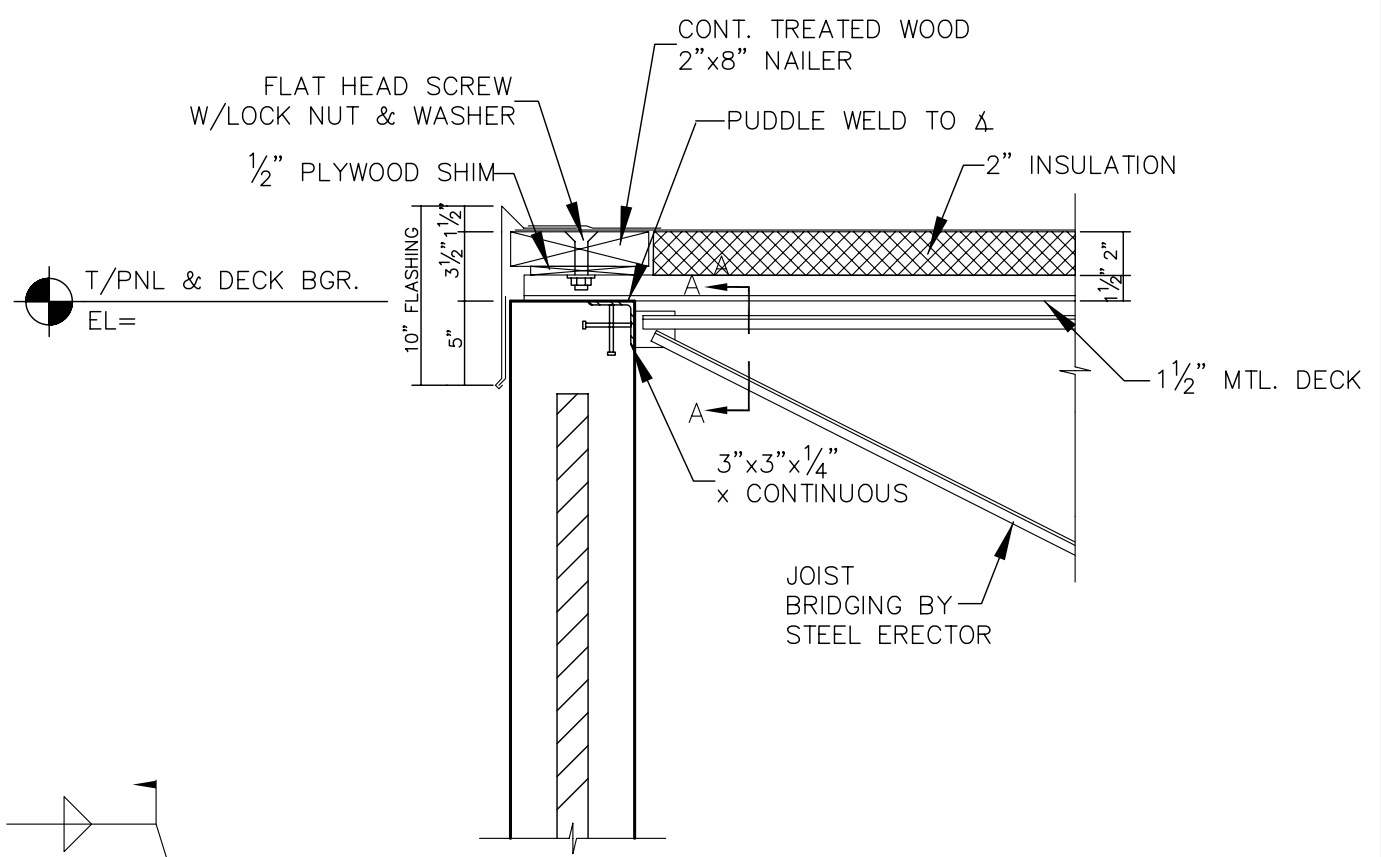
NOTE:



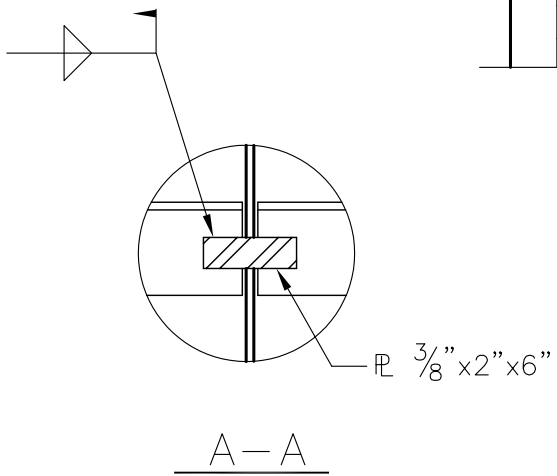
REVISIONS:	DATE:	APPROVED FOR PRODUCTION:	FILENAME: DPR-3
	DR:	DATE:	
	CK:	JOB NO.:	

DECK BEARING CONN.

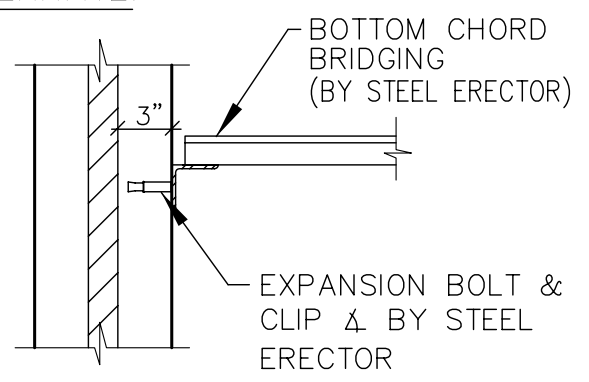
NOTE:



T/PNL & DECK BGR.
EL=



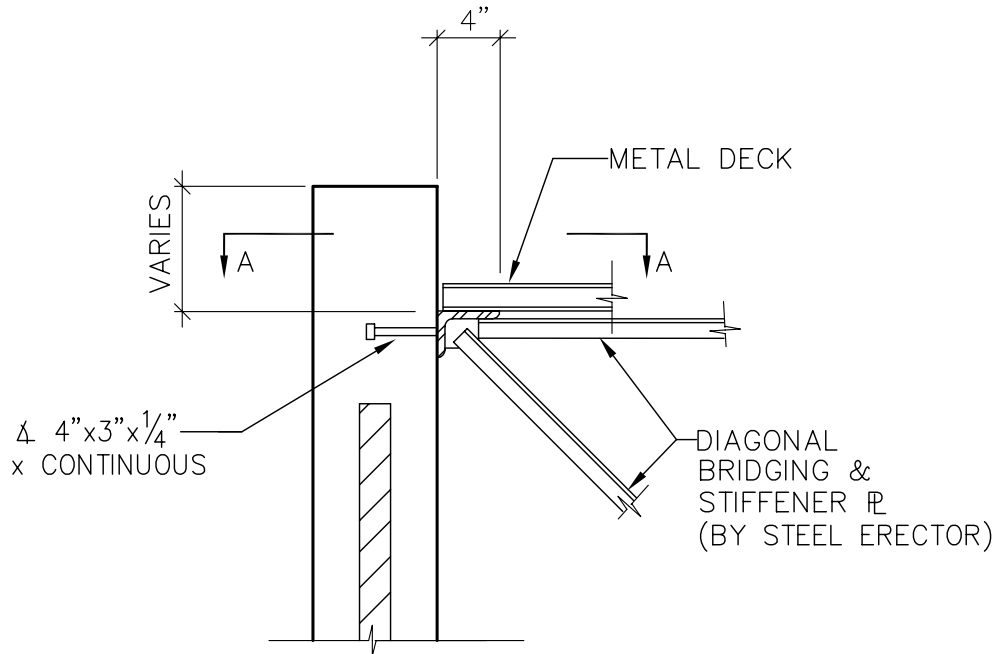
ALTERNATE:



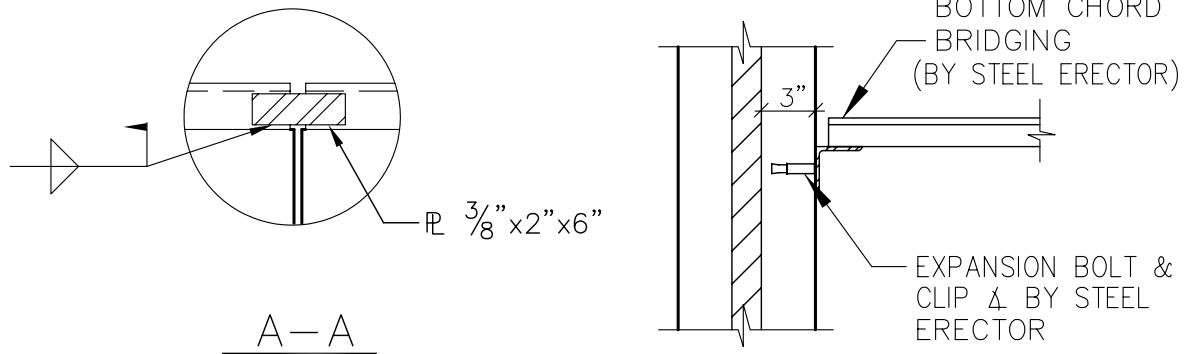
REVISIONS:	DATE:	APPROVED FOR PRODUCTION:	FILENAME: DPR-2
	DR:	DATE:	
	CK:	JOB NO.:	

DECK BEARING CONN.

NOTE:



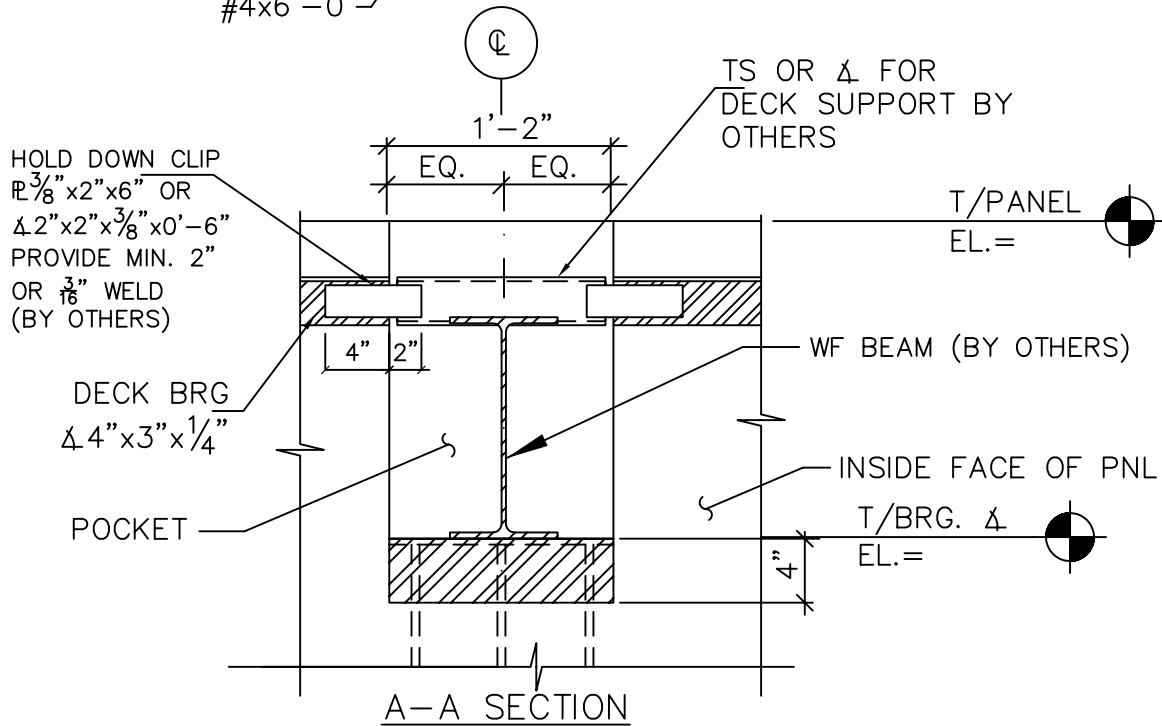
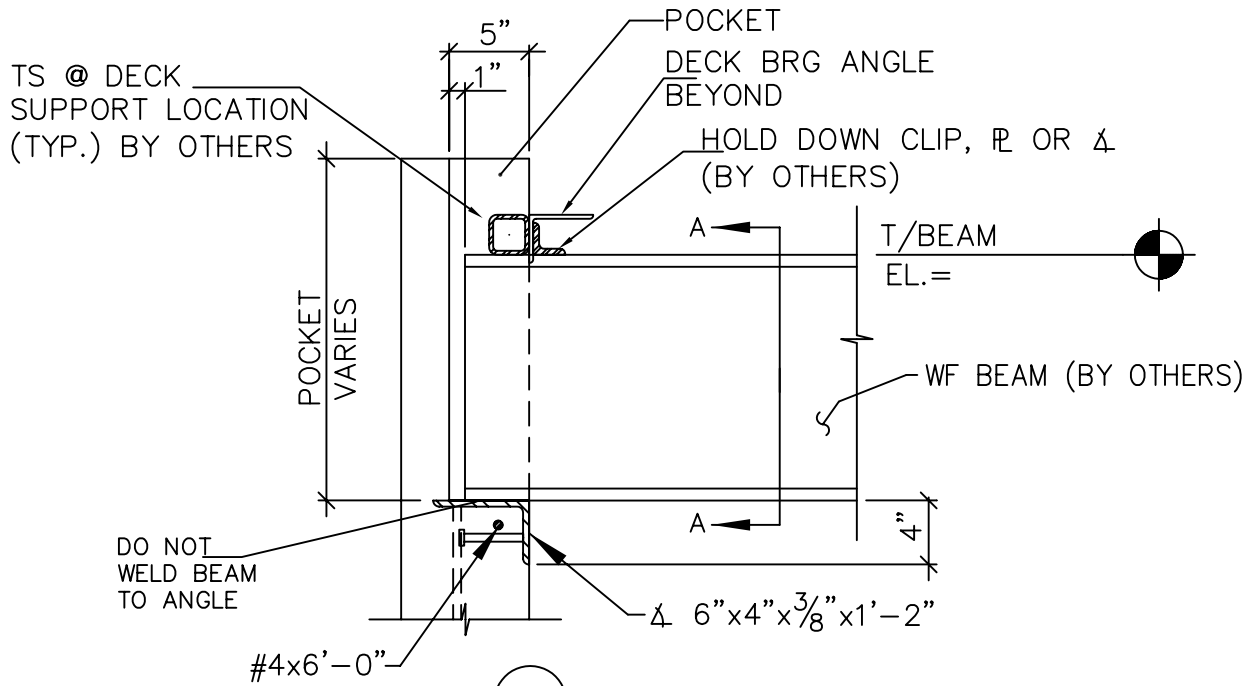
ALTERNATE:



REVISIONS:	DATE:	APPROVED FOR PRODUCTION:	FILENAME: DPR-5
	DR:	DATE:	
	CK:	JOB NO.:	

POCKETED BEAM CONN.

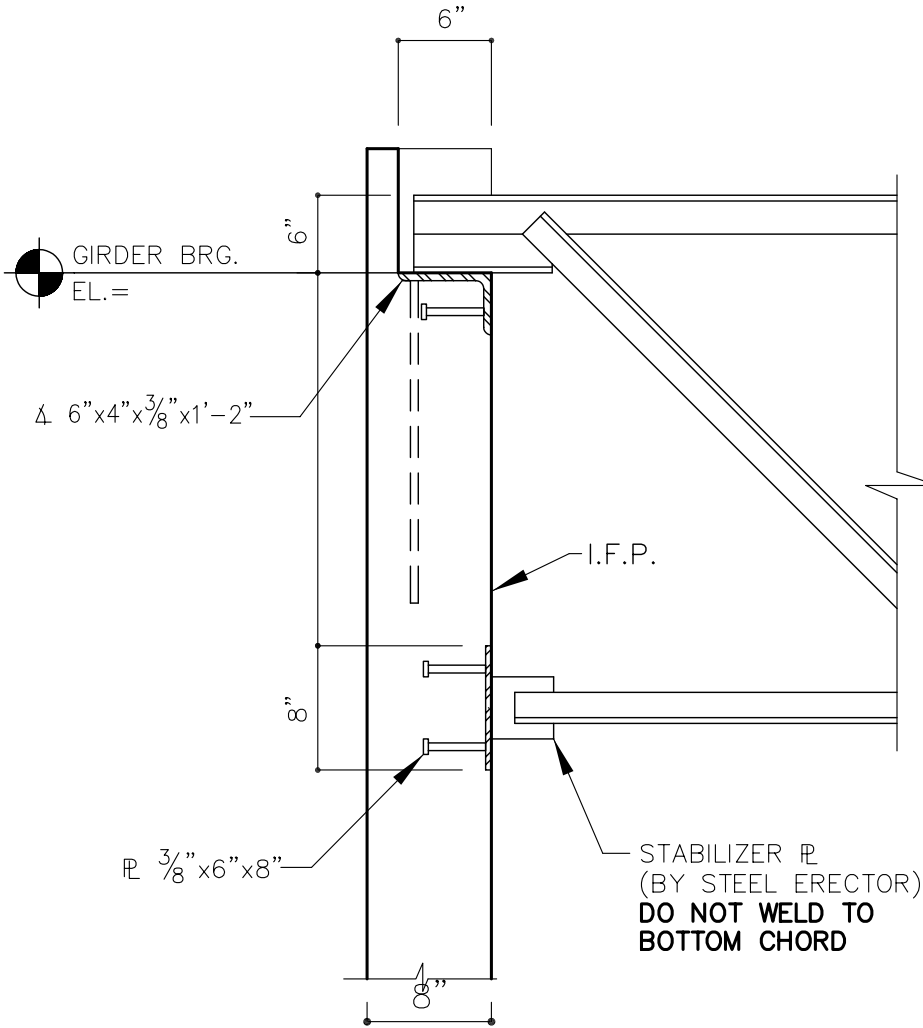
NOTE:



REVISIONS:	DATE:	APPROVED FOR PRODUCTION:	FILE NAME: DPB-1
	DR:	DATE:	
	CK:	JOB NO.:	

JOIST — GIRDER
BEARING
CONNECTION

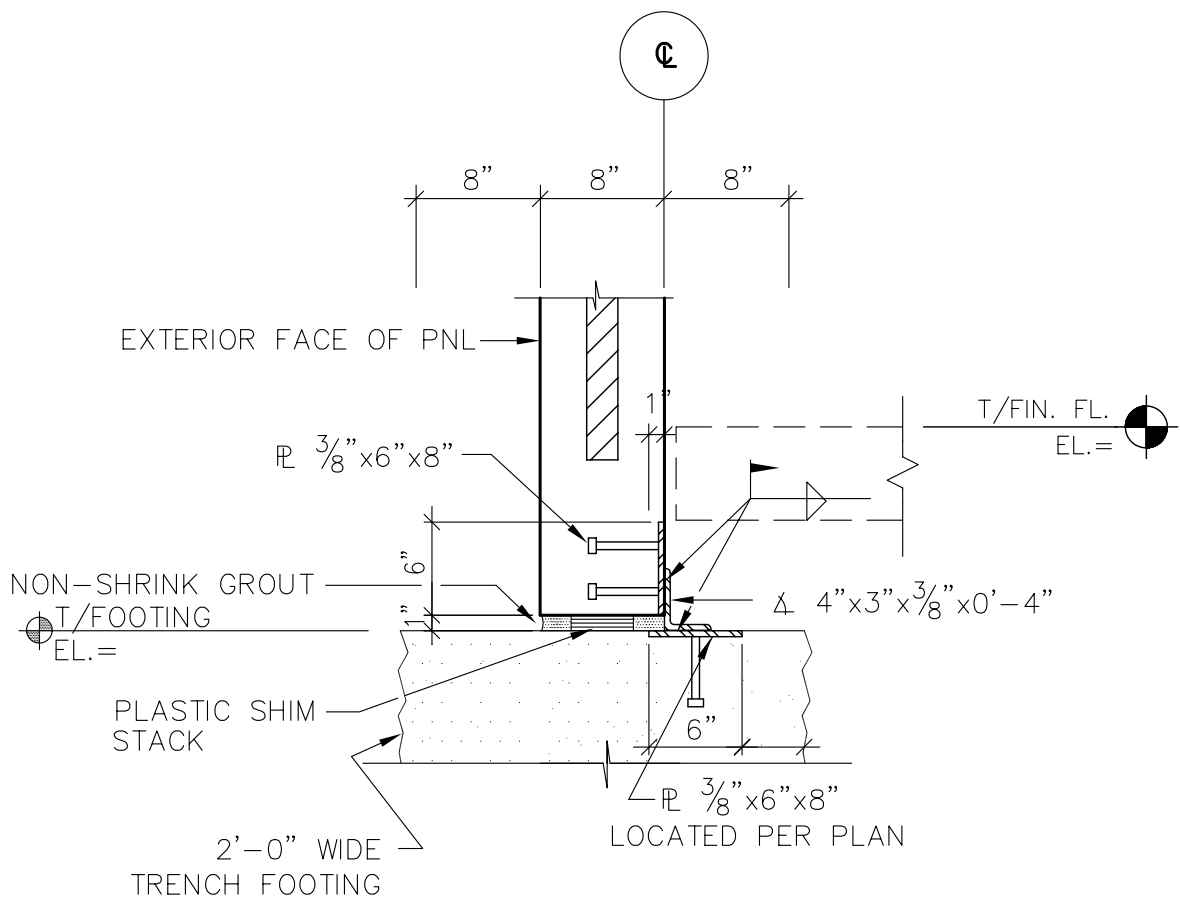
NOTE:



REVISIONS:	DATE:	APPROVED FOR PRODUCTION:	FILENAME: DPR-4
	DR:	DATE:	
	CK:	JOB NO.:	

WALL PANEL
BASE CONNECTION
@ TRENCH CONNECTION

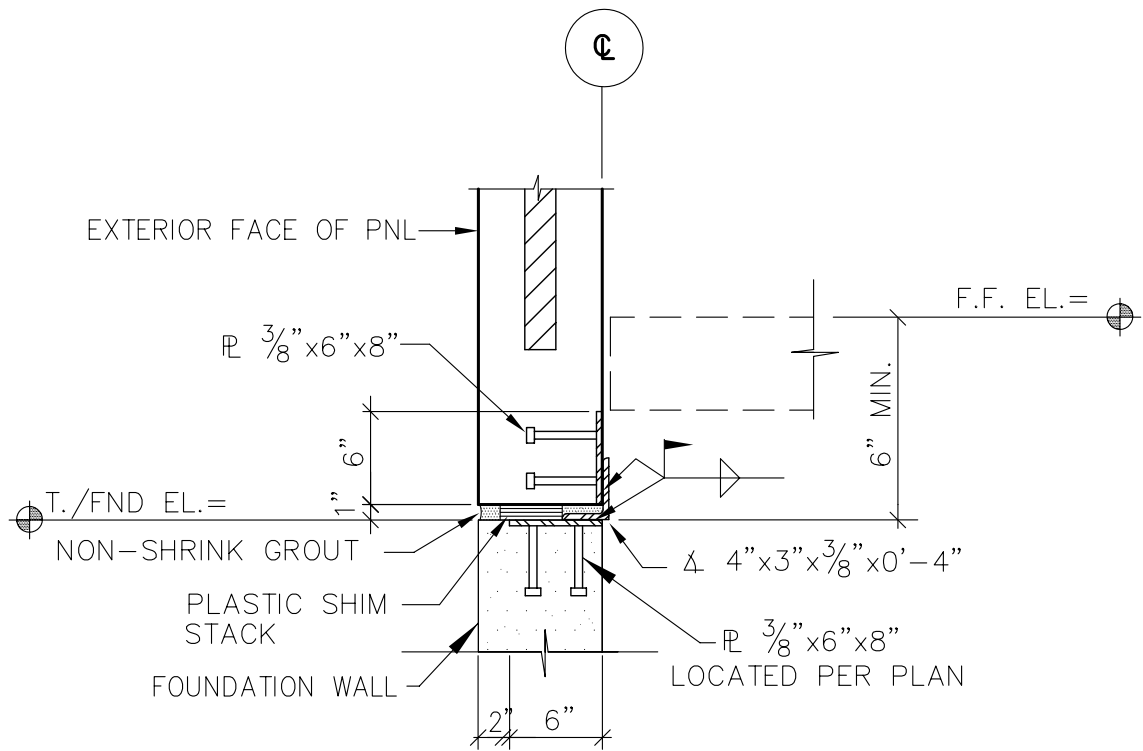
NOTE:



REVISIONS:	DATE:	APPROVED FOR PRODUCTION:	FILENAME: DPF-7
	DR:	DATE:	
	CK:	JOB NO.:	

WALL PANEL BASE CONNECTION
@ FDN. WALL

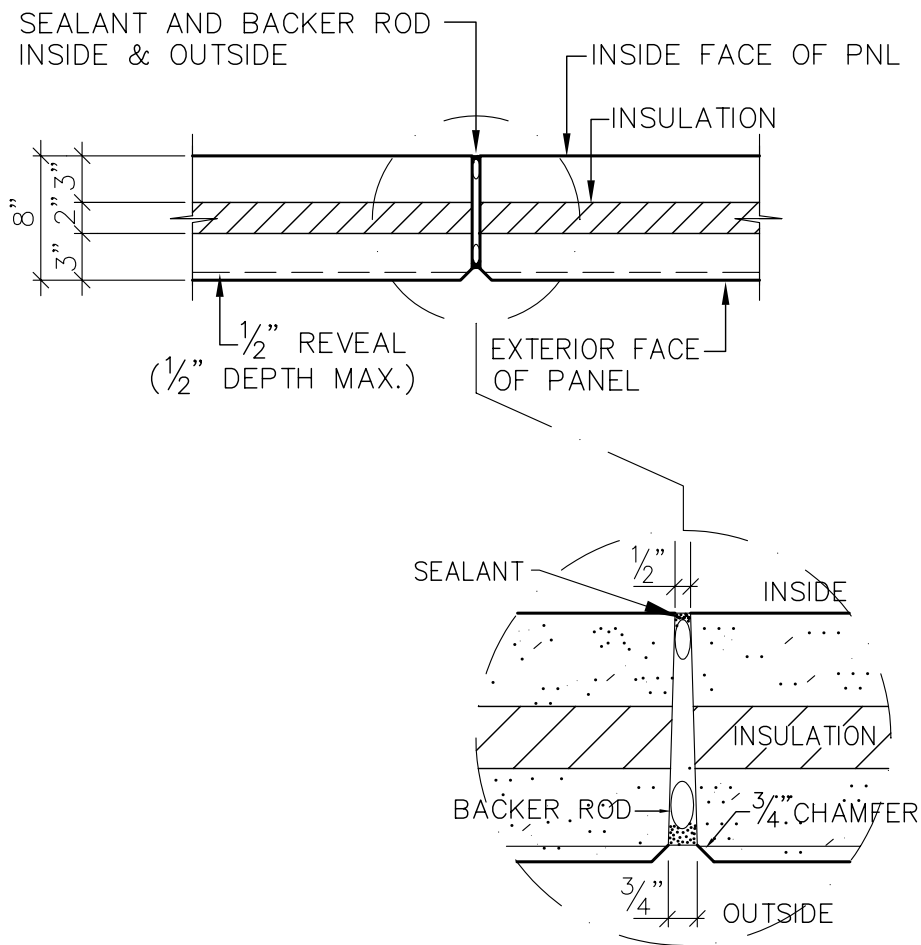
NOTE:



REVISIONS:	DATE:	APPROVED FOR PRODUCTION:	FILENAME:
	DR:	DATE:	DPF-1
	CK:	JOB NO.:	

TYP. VERTICAL
PANEL JOINT.

NOTE:



REVISIONS:

DATE:

APPROVED FOR PRODUCTION:

FILENAME:

DR:

DATE:

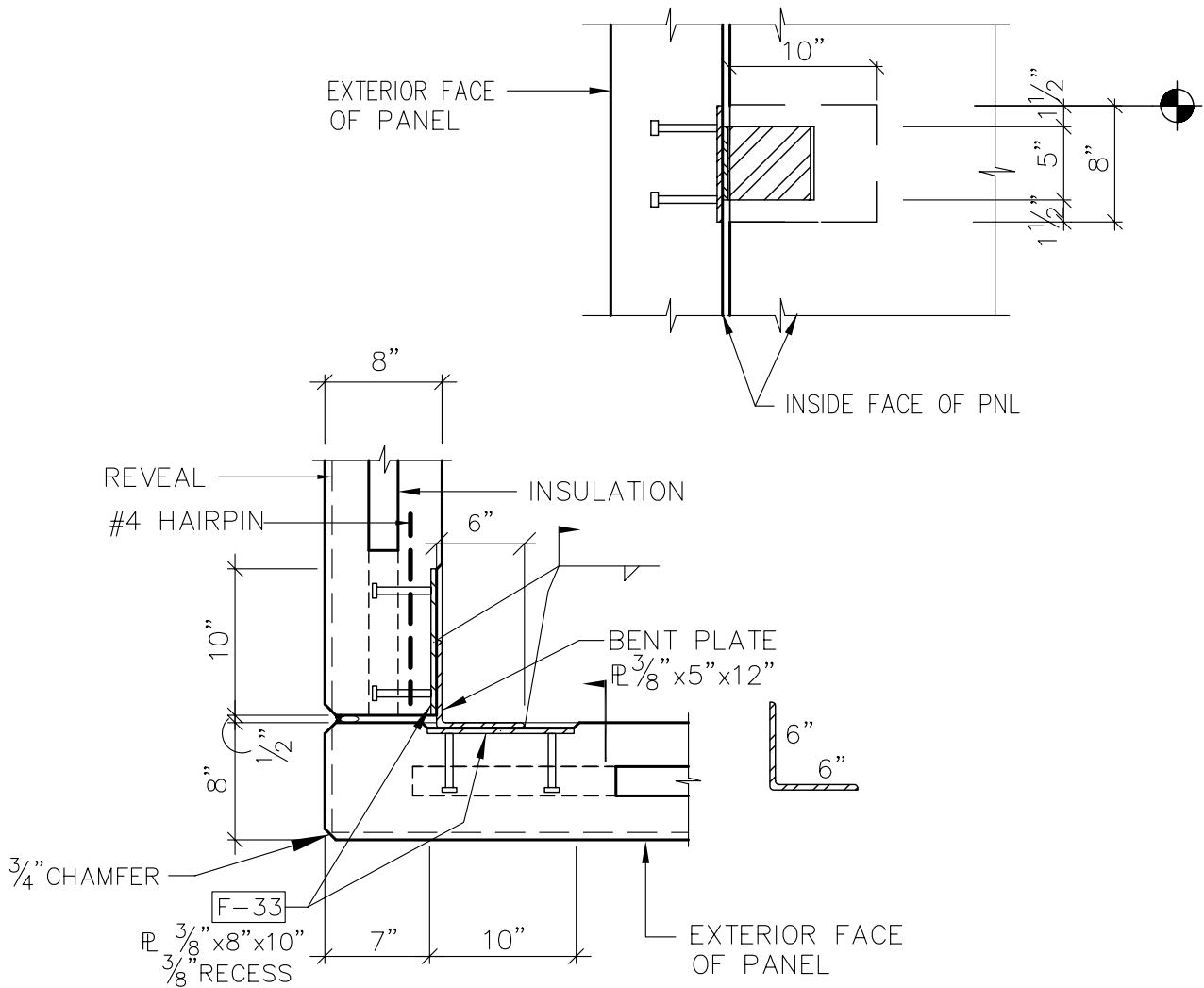
DPP-1

CK:

JOB NO.:

TYP. CORNER CONN.

NOTE:



REVISIONS:

DATE:

APPROVED FOR PRODUCTION:

FILENAME:

DR:

DATE:

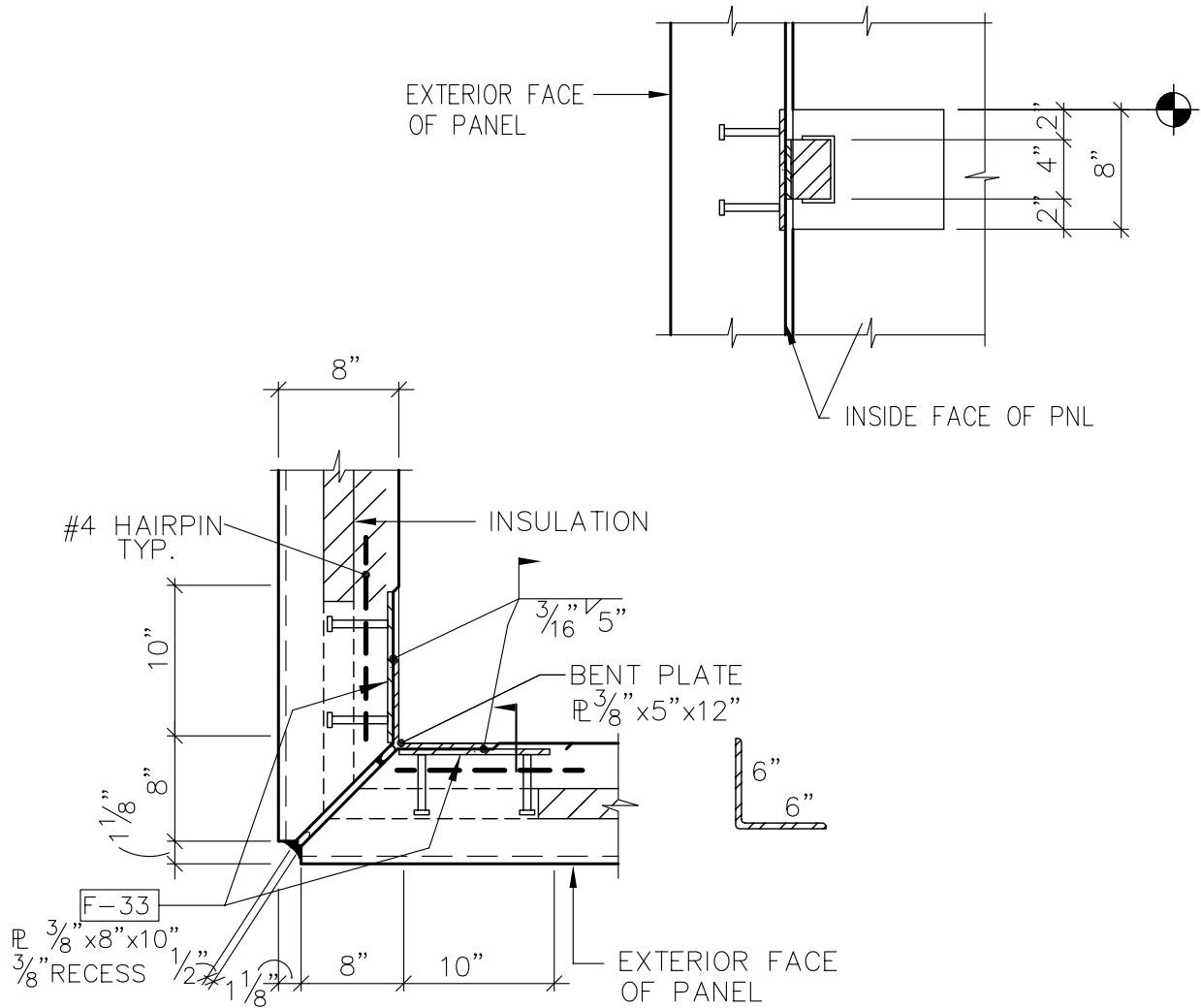
DPP-5

CK:

JOB NO.:

MITERED CORNER CONN.

NOTE:



REVISIONS:

DATE:

APPROVED FOR PRODUCTION:

FILENAME:

DR:

DATE:

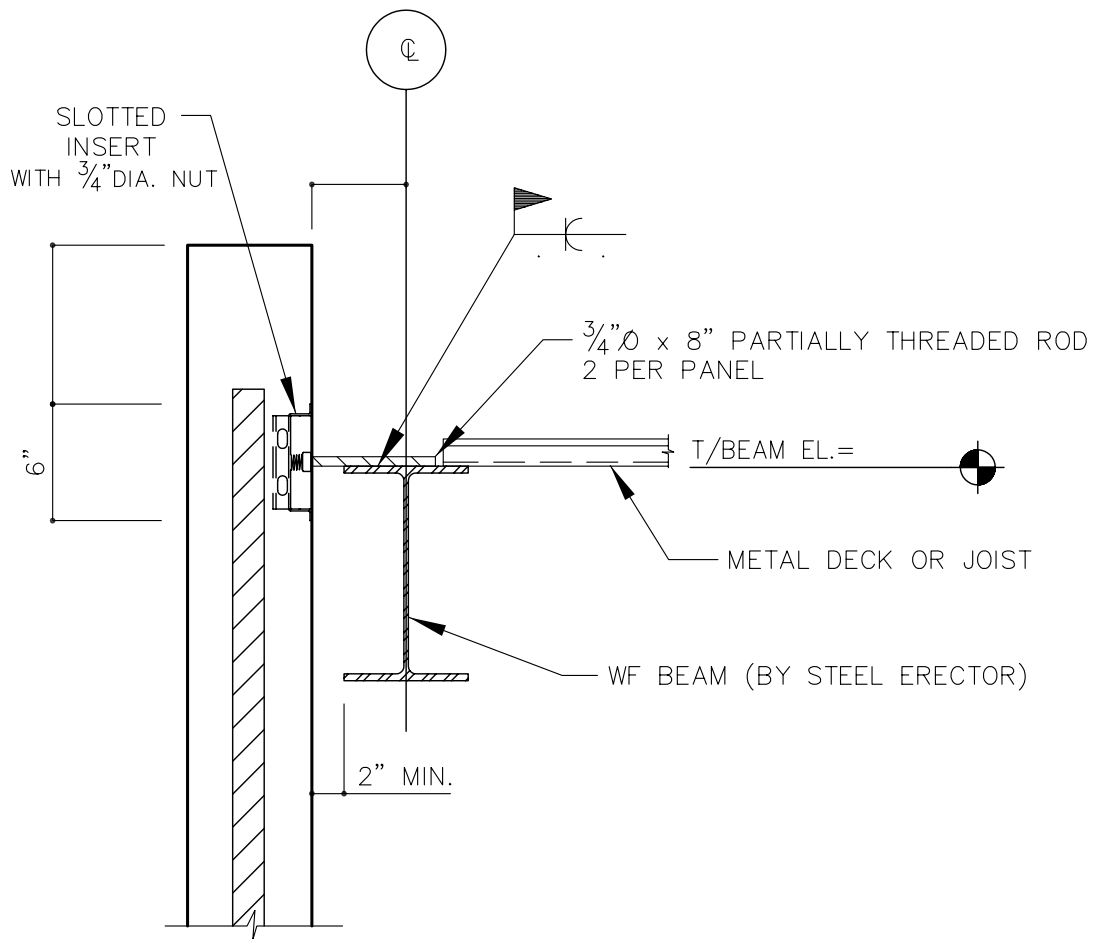
DPP-6

CK:

JOB NO.:

TOP TIE-BACK CONN.

NOTE:



REVISIONS:

DATE:

APPROVED FOR PRODUCTION:

FILENAME:

DR:

DATE:

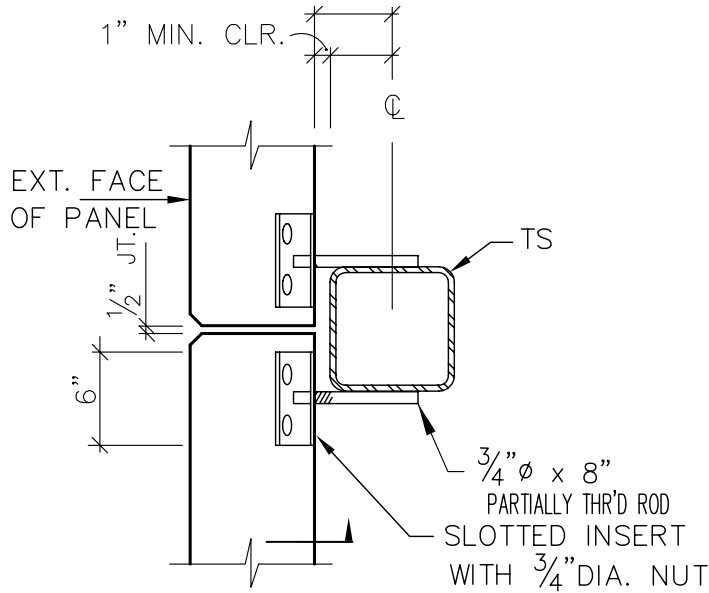
DPR-6

CK:

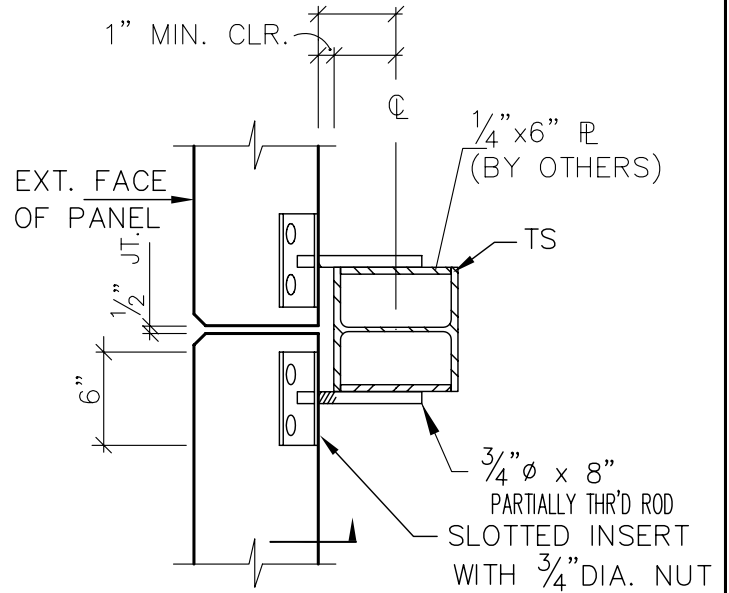
JOB NO.:

SPANDREL PANEL TIE- BACK CONNECTION TO COLUMN

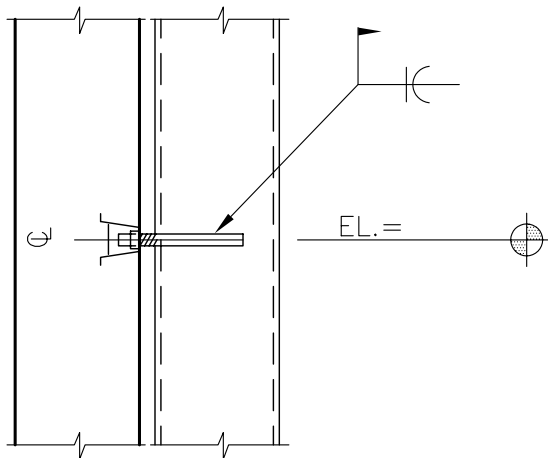
NOTE:



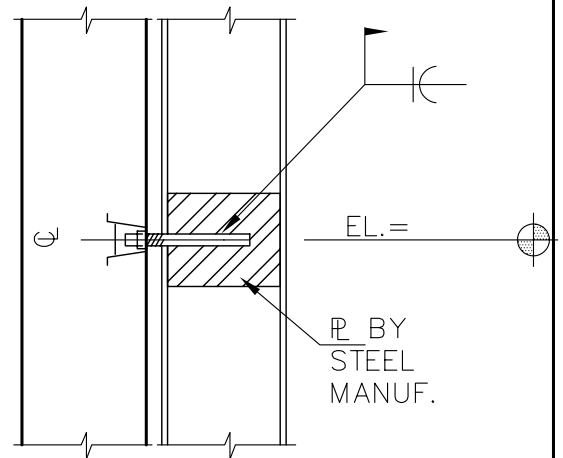
PLAN VIEW



PLAN VIEW



SECTION VIEW



SECTION VIEW

REVISIONS:

DATE:

APPROVED FOR PRODUCTION:

FILENAME:

DR:

DATE:

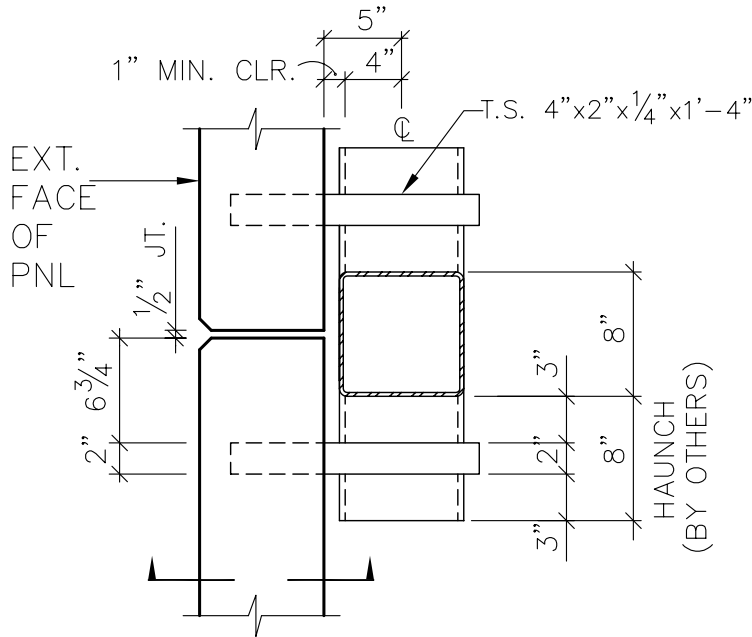
DPC-1

CK:

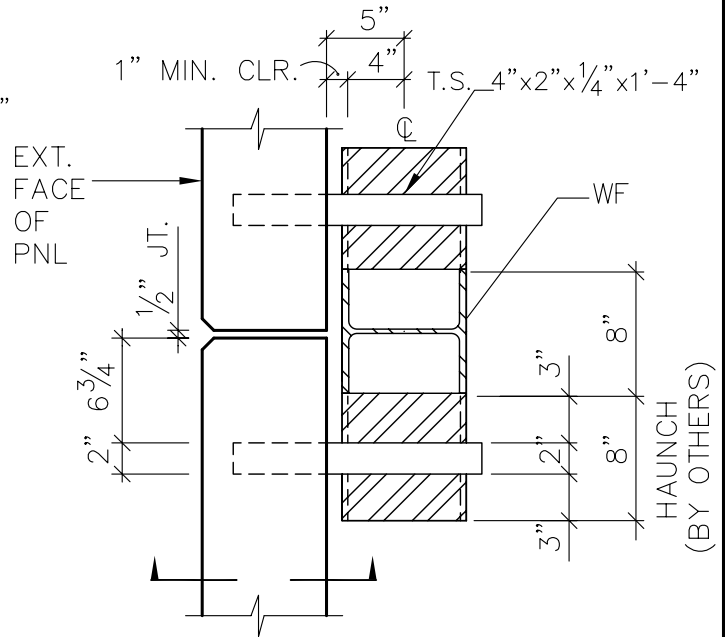
JOB NO.:

SPANDREL PANEL BEARING CONNECTION AT COLUMN

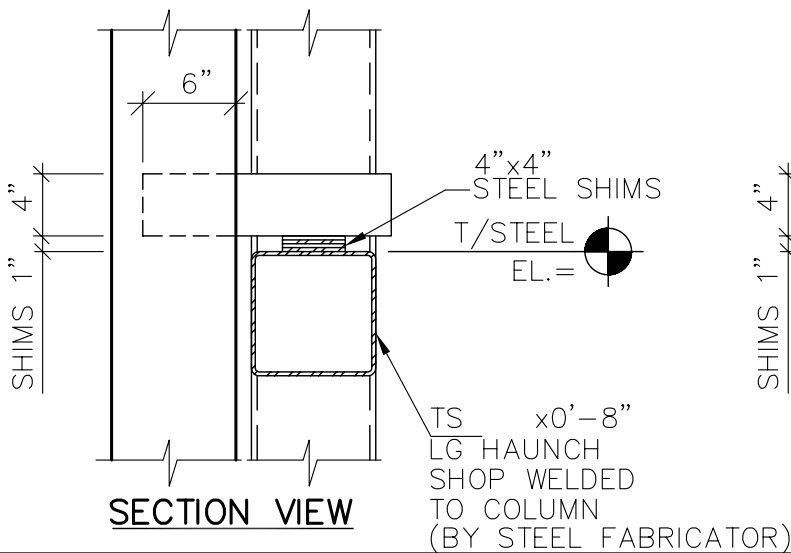
NOTE:



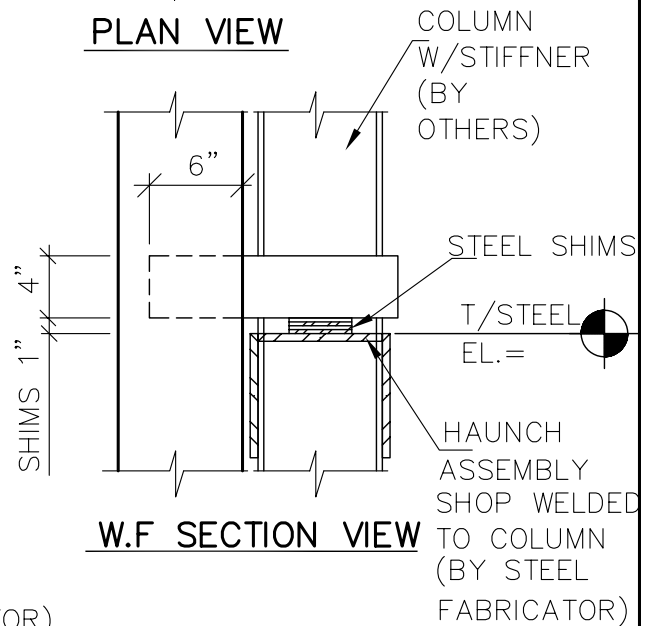
PLAN VIEW



PLAN VIEW



SECTION VIEW



W.F. SECTION VIEW

REVISIONS:

DATE:

APPROVED FOR PRODUCTION:

FILENAME:

DR:

DATE:

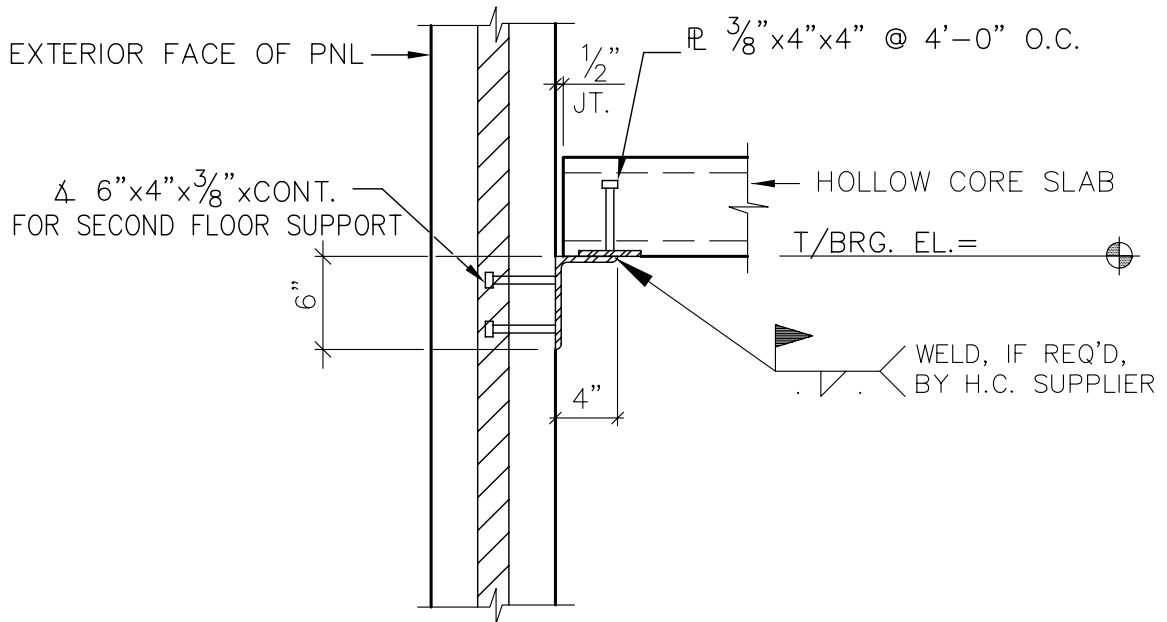
DPC-2

CK:

JOB NO.:

PANEL TO HOLLOWCORE CONNECTION DETAIL

NOTE:



REVISIONS:

DATE:

APPROVED FOR PRODUCTION:

FILENAME:

DR:

DATE:

DPH-2

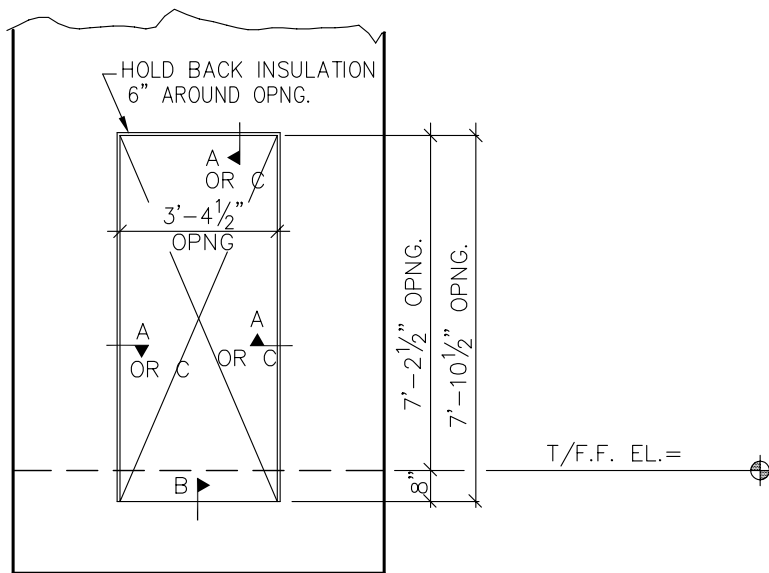
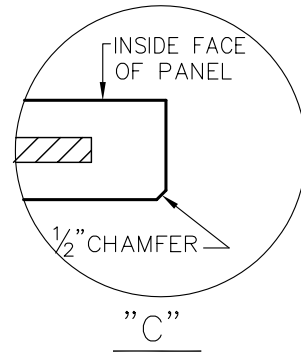
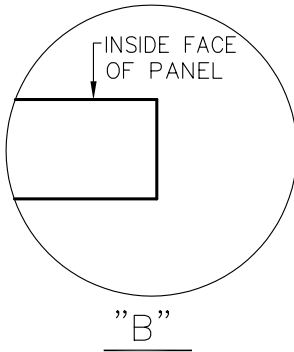
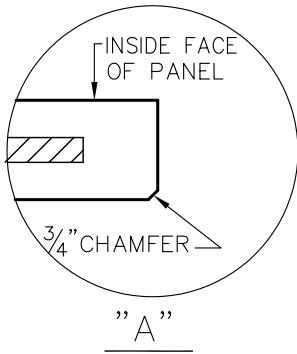
CK:

JOB NO.:

MAN – DOOR OPENING

(VIEW FROM OUTSIDE)

NOTE:

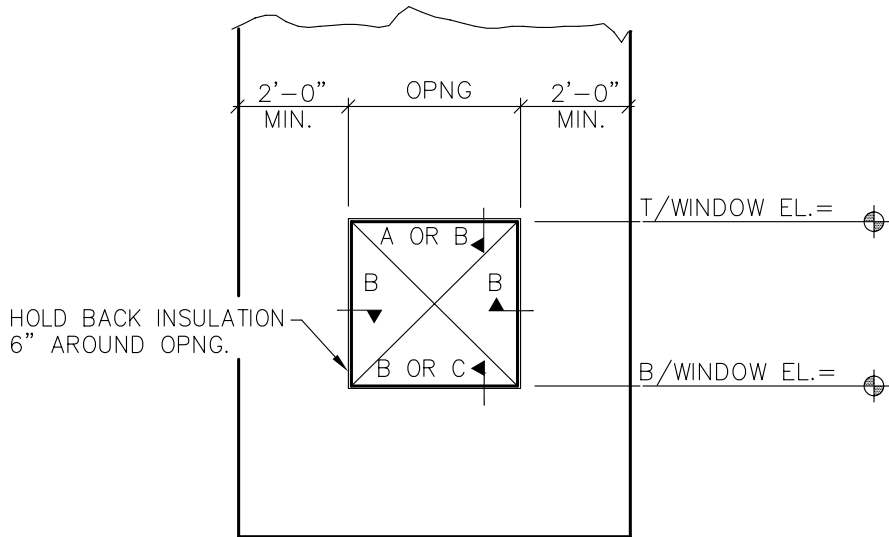
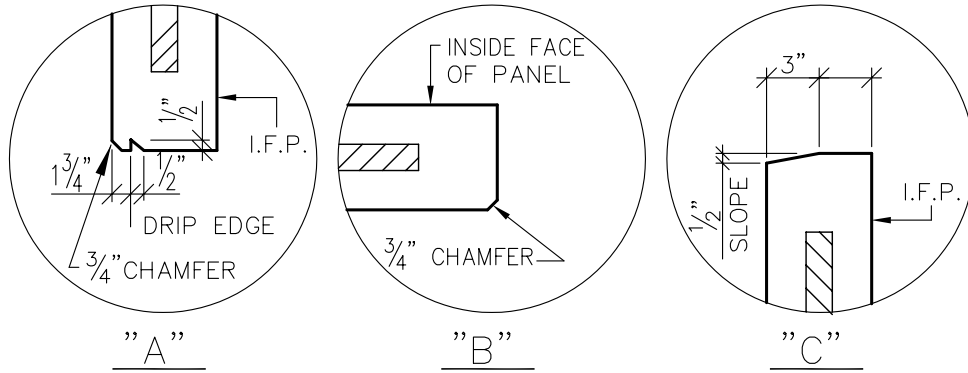


MAN DOOR OPNG.
(VIEW FROM OUTSIDE)

REVISIONS:	DATE:	APPROVED FOR PRODUCTION:	FILENAME: DPD-1
	DR:	DATE:	
CK:	JOB NO.:		

TYP. WINDOW OPNG

NOTE:



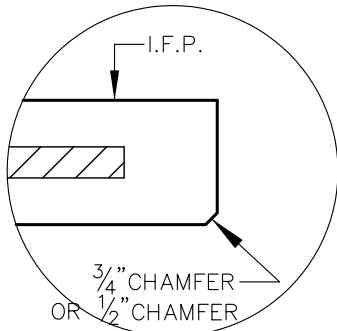
TYP. WINDOW OPNG.
(VIEW FROM OUTSIDE)

REVISIONS:	DATE:	APPROVED FOR PRODUCTION:	FILENAME: DPW-1
	DR:	DATE:	
	CK:	JOB NO.:	

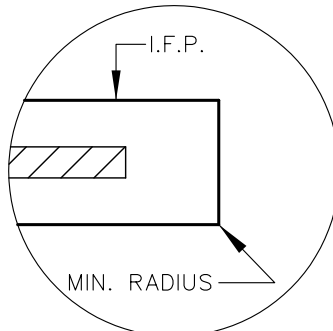
PUNCHED OPENING OR DOCK DOOR DETAIL

(VIEW FROM OUTSIDE)

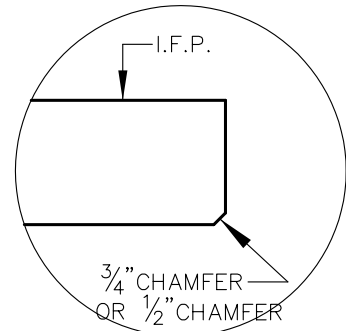
NOTE:



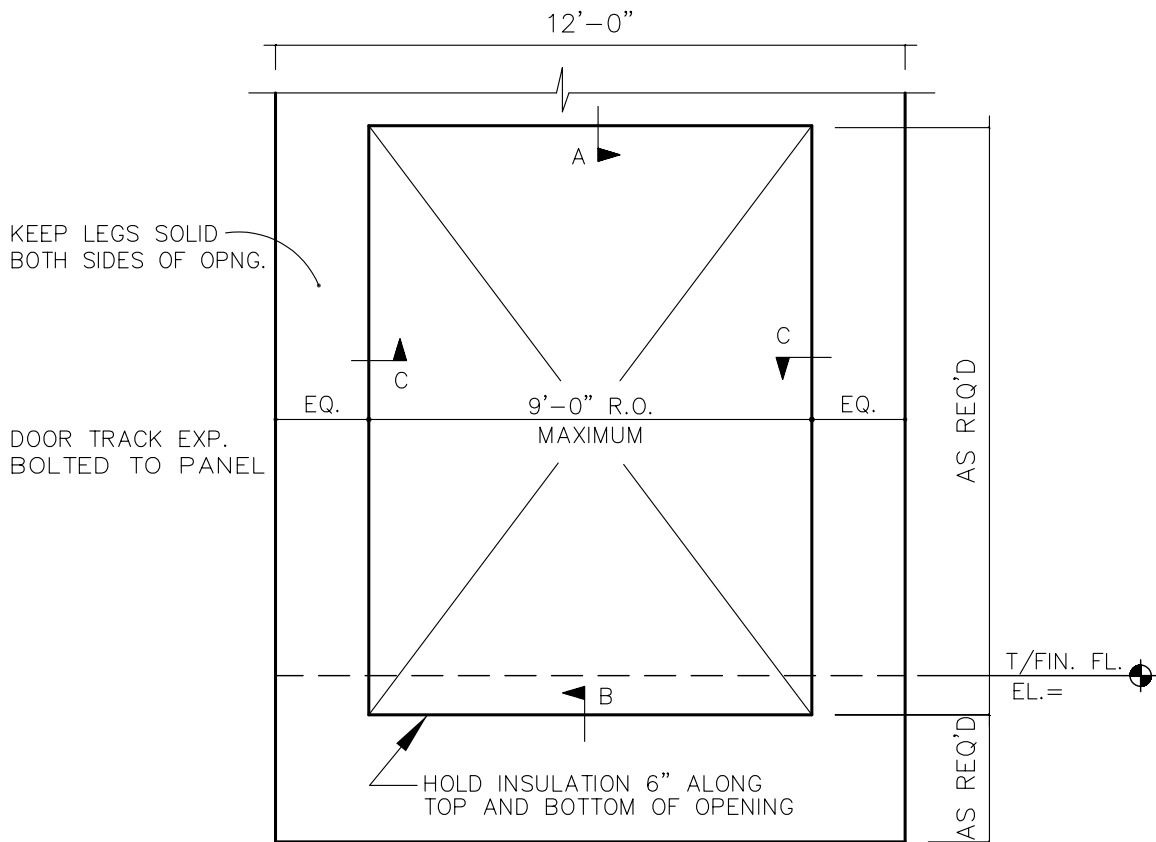
"A"



"B"



"C"



REVISIONS:

DATE:

APPROVED FOR PRODUCTION:

FILENAME:

DR:

DATE:

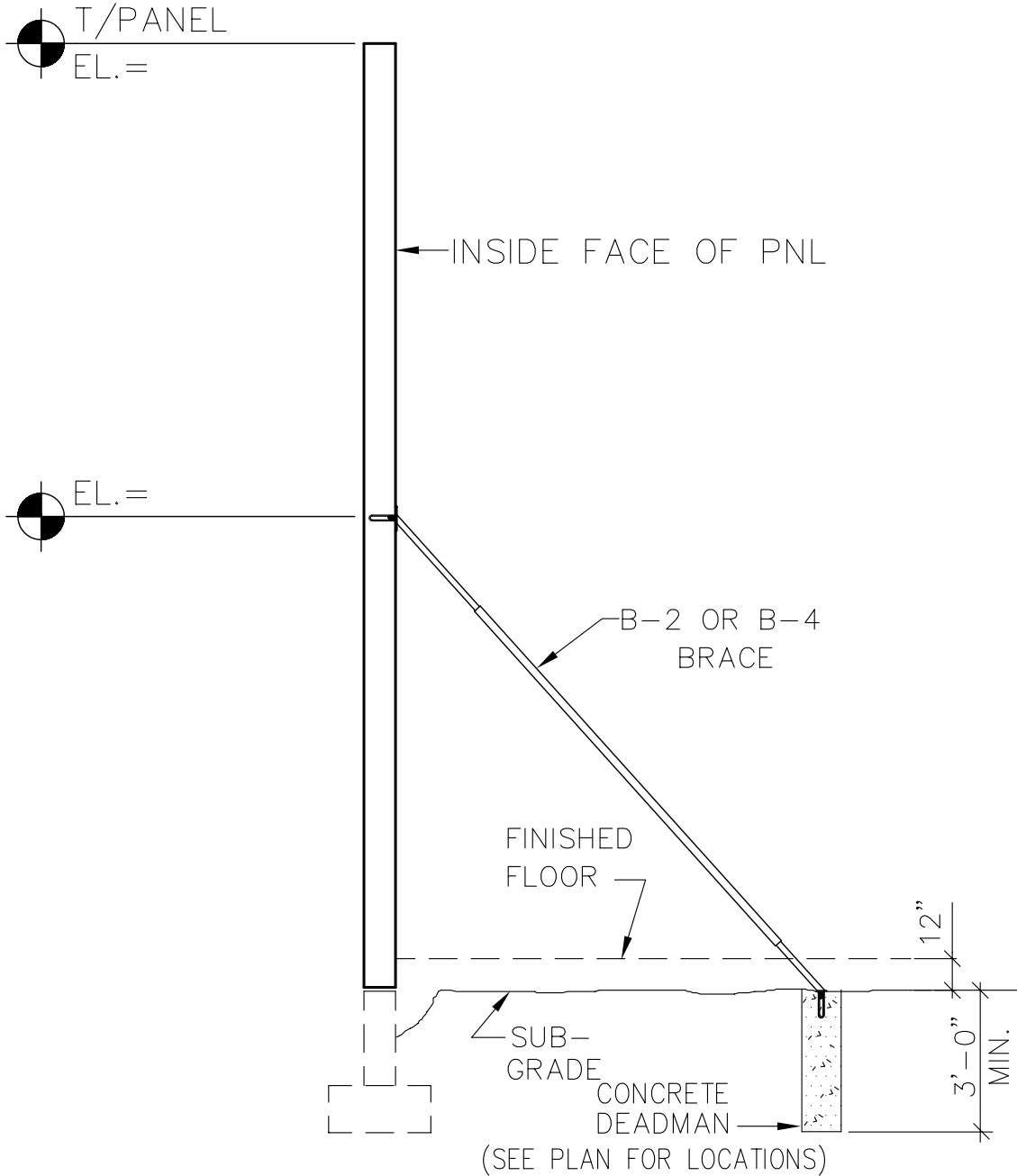
DPD-7

CK:

JOB NO.:

TEMPORARY ERECTION PANEL BRACE/DEADMAN

NOTE:



REVISIONS:

DATE:

APPROVED FOR PRODUCTION:

FILENAME:

DR:

DATE:

DBR-0

CK:

JOB NO.: