

# dukane | precast

**NEW  
PRECAST  
TECHNOLOGY**

## APPLICATIONS



Schools • Multi Family • Condos • Senior Housing • Hotels  
Townhomes • Single Family Homes & More

## WHAT IS A PRECAST DOUBLE WALL?

A Double Wall System process produces two reinforced concrete wall panels that are joined to make a double wall, much like two slices of sandwich bread. The filling is a bio-based foam that is made with soybean or castor oil instead of a strictly petroleum based product.

The double wall panel systems are used for walls and floors.

This technology is not to be confused with “the standard” type industrial sandwich wall panel. This new double wall system from Dukane Precast can provide smooth form finish on each side (interior/exterior) of the wall panel with up to an R-value rating of R-38 using a 12” panel thickness

Double Wall Panel Details

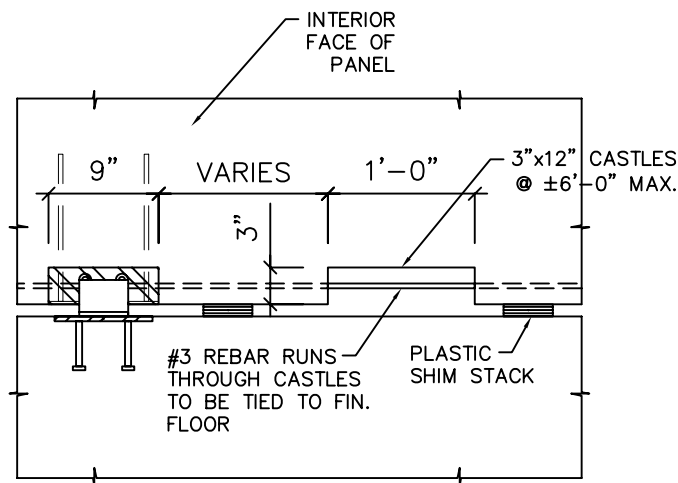
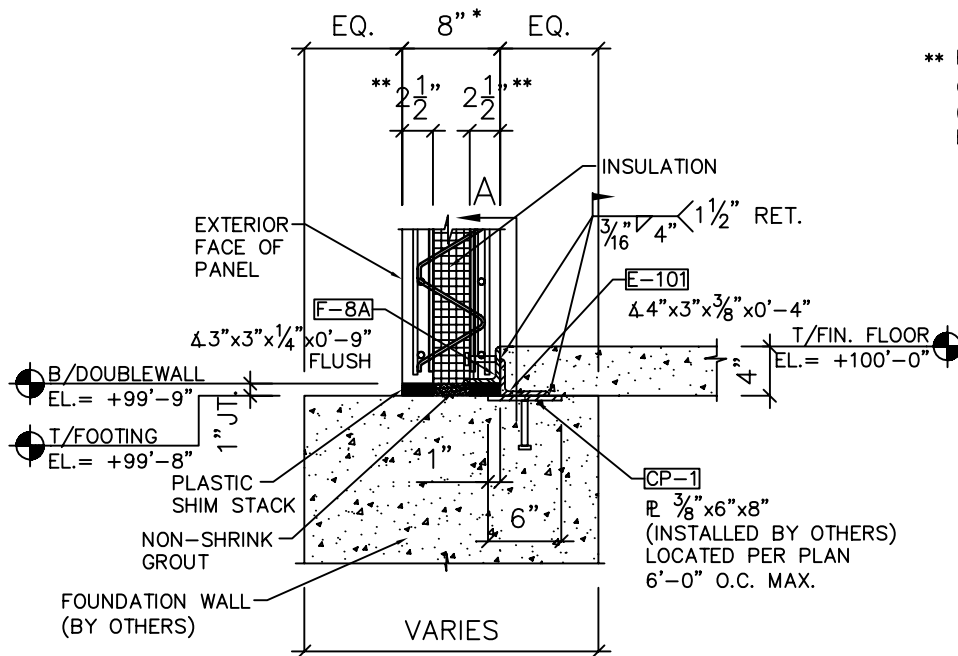
SECTION-2

# Double Wall Footing Connection Detail

Note:

\* PANEL THICKNESS CAN BE 8", 10", OR 12"

\*\* PANEL WYTHE THICKNESS CAN BE 2 1/2" OR 3" (MUST BE SAME FOR BOTH WYTHES)



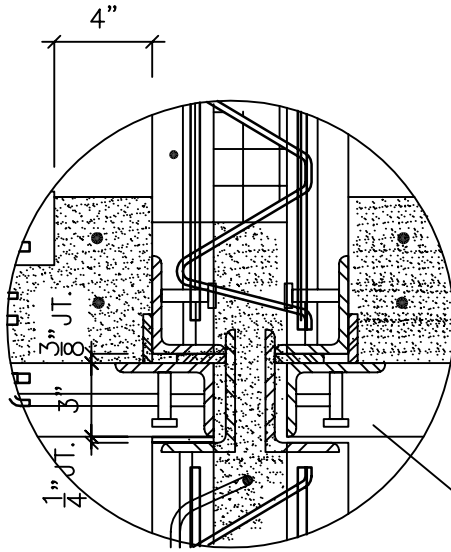
SECTION "A"

REVISIONS:	DATE:	APPROVED FOR PRODUCTION:	FILENAME:
	DR:	DATE:	
	CK:	JOB NO.:	

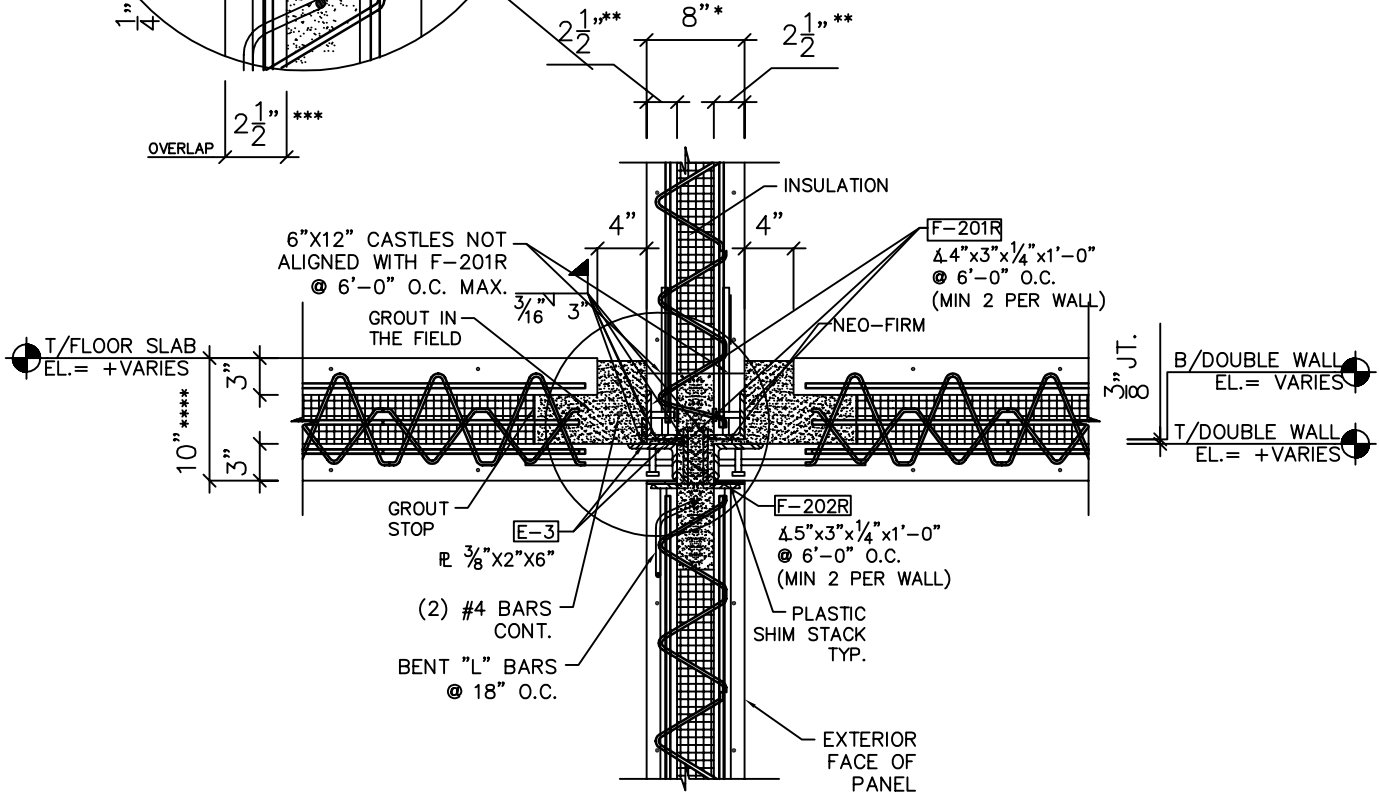
\*

# Double Wall interior wall brg

Note:



- \* PANEL THICKNESS CAN BE 8", 10", OR 12"
- \*\* PANEL WYTHE THICKNESS CAN BE 2 1/2" OR 3" (MUST BE SAME FOR BOTH WYTHES)
- \*\*\* FLOOR SLAB OVERLAP WILL MATCH PANEL WYTHE THICKNESS
- \*\*\*\* FLOOR SLAB THICKNESS CAN BE 10" OR 12" (NOTE PANEL WYTHE THICKNESS FOR FLOOR SLABS WILL ALWAYS BE 3")

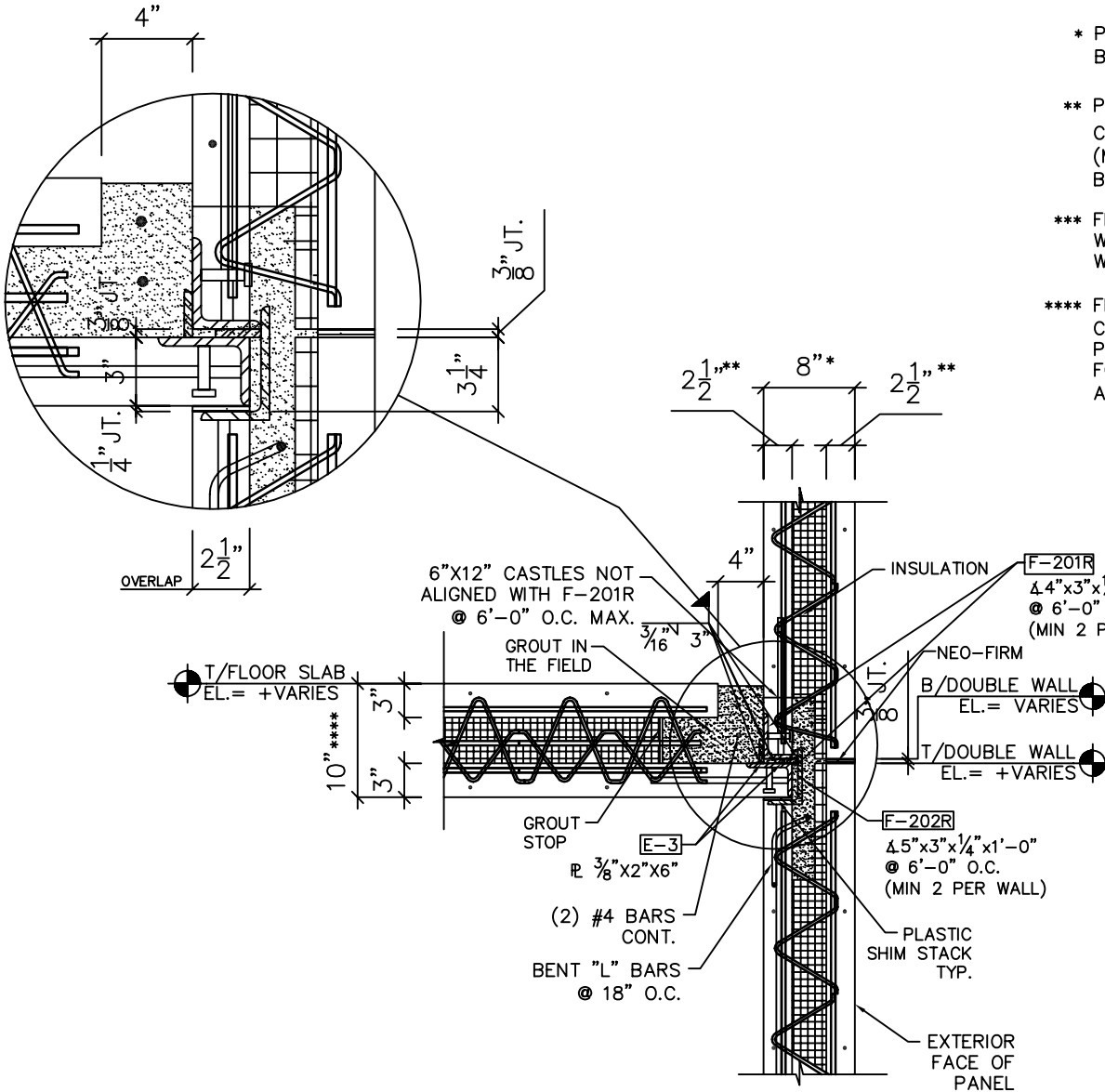


REVISIONS:	DATE:	APPROVED FOR PRODUCTION:	FILENAME:
	DR:	DATE:	
	CK:	JOB NO.:	

\*

## Double Wall floor bearing detail @ notch

Note:



- \* PANEL THICKNESS CAN BE 8", 10", OR 12"
- \*\* PANEL WYTHE THICKNESS CAN BE 2 1/2" OR 3" (MUST BE SAME FOR BOTH WYTHES)
- \*\*\* FLOOR SLAB OVERLAP WILL MATCH PANEL WYTHE THICKNESS
- \*\*\*\* FLOOR SLAB THICKNESS CAN BE 10" OR 12" (NOTE PANEL WYTHE THICKNESS FOR FLOOR SLABS WILL ALWAYS BE 3")

REVISIONS:	DATE:	APPROVED FOR PRODUCTION:	FILENAME:
	DR:	DATE:	
	CK:	JOB NO.:	

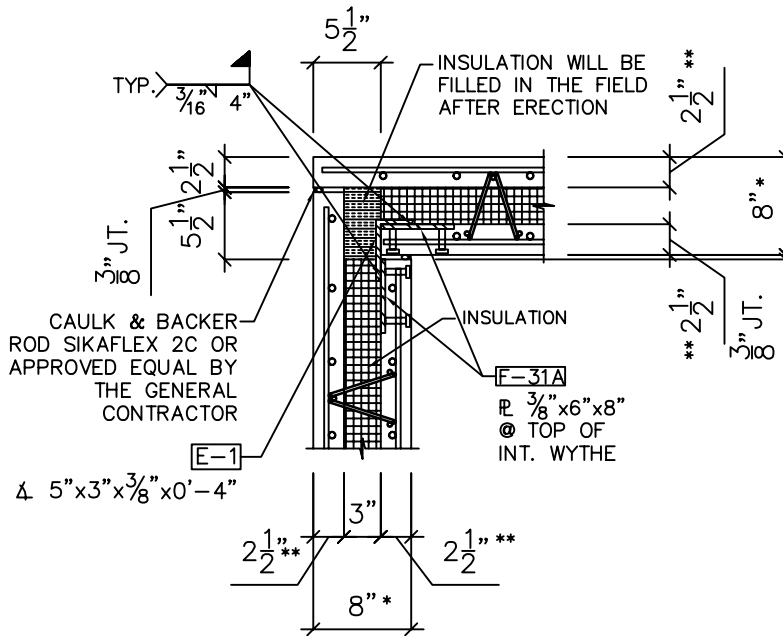
\*

# Double Wall butt corner joint

Note:

\* PANEL THICKNESS CAN BE 8", 10" , OR 12"

\*\* PANEL WYTHE THICKNESS CAN BE 2½" OR 3" (MUST BE SAME FOR BOTH WYTHES)



REVISIONS:

DATE:

APPROVED FOR PRODUCTION:

FILENAME:

DR:

DATE:

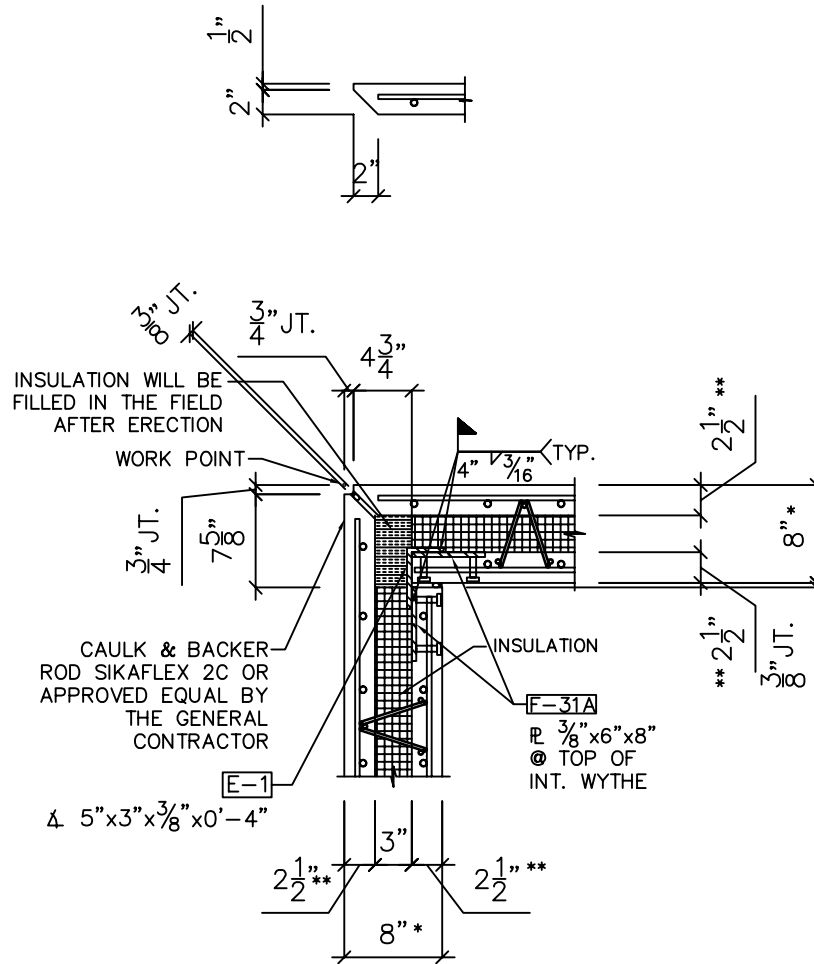
\*

CK:

JOB NO.:

# Double Wall miter corner joint

Note:



\* PANEL THICKNESS CAN BE 8", 10", OR 12"

\*\* PANEL WYTHE THICKNESS CAN BE 2 1/2" OR 3" (MUST BE SAME FOR BOTH WYTHES)

REVISIONS:

DATE:

APPROVED FOR PRODUCTION:

FILENAME:

DR:

DATE:

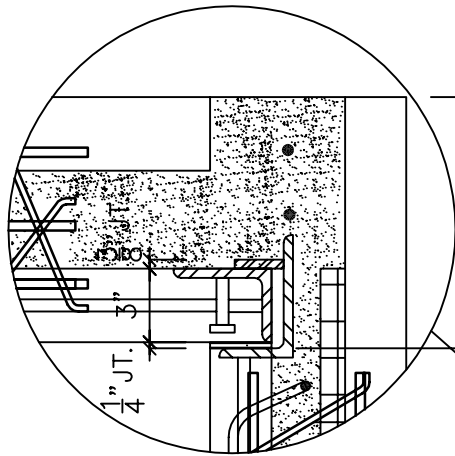
\*

CK:

JOB NO.:

# Double Wall BEARING @ ROOF

Note:

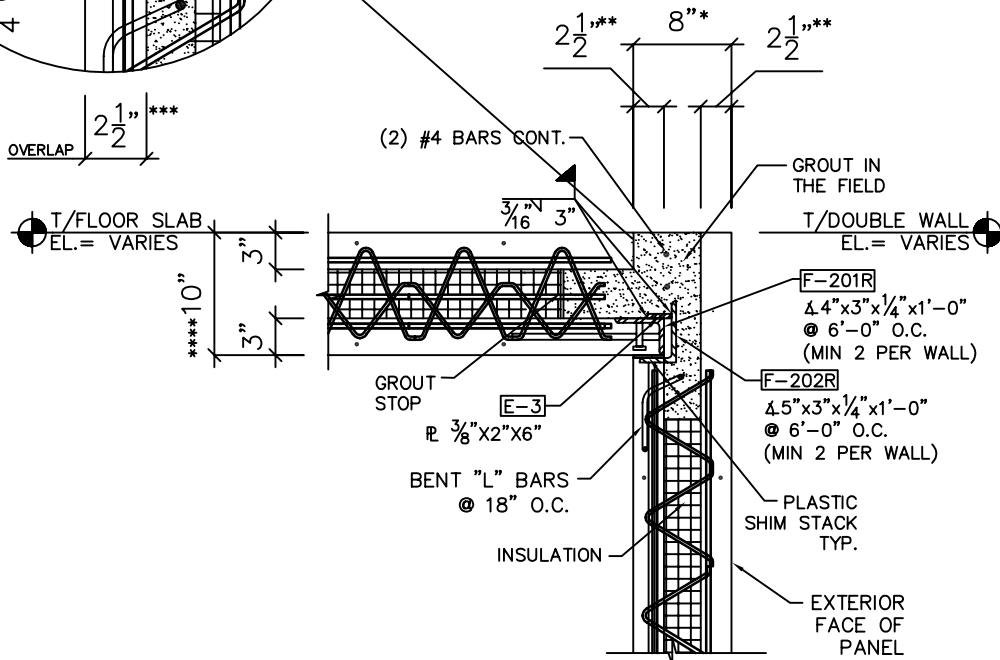


\* PANEL THICKNESS CAN BE 8", 10", OR 12"

\*\* PANEL WYTHE THICKNESS CAN BE 2 1/2" OR 3" (MUST BE SAME FOR BOTH WYTHES)

\*\*\* FLOOR SLAB OVERLAP WILL MATCH PANEL WYTHE THICKNESS

\*\*\*\* FLOOR SLAB THICKNESS CAN BE 10" OR 12" (NOTE PANEL WYTHE THICKNESS FOR FLOOR SLABS WILL ALWAYS BE 3")



REVISIONS:	DATE:	APPROVED FOR PRODUCTION:	FILENAME:
	DR:	DATE:	
	CK:	JOB NO.:	

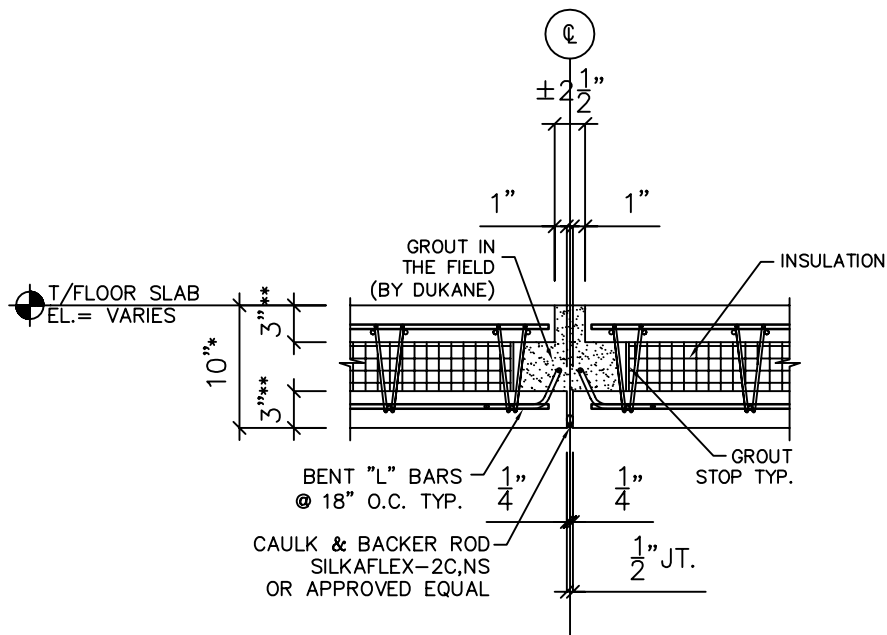
\*

# Double Wall FLOOR JOINT

Note:

\* PANEL THICKNESS CAN BE 8", 10", OR 12"

\*\* PANEL WYTHE THICKNESS CAN BE 2½" OR 3" (MUST BE SAME FOR BOTH WYTHES)



REVISIONS:

DATE:

APPROVED FOR PRODUCTION:

FILENAME:

DR:

DATE:

\*

CK:

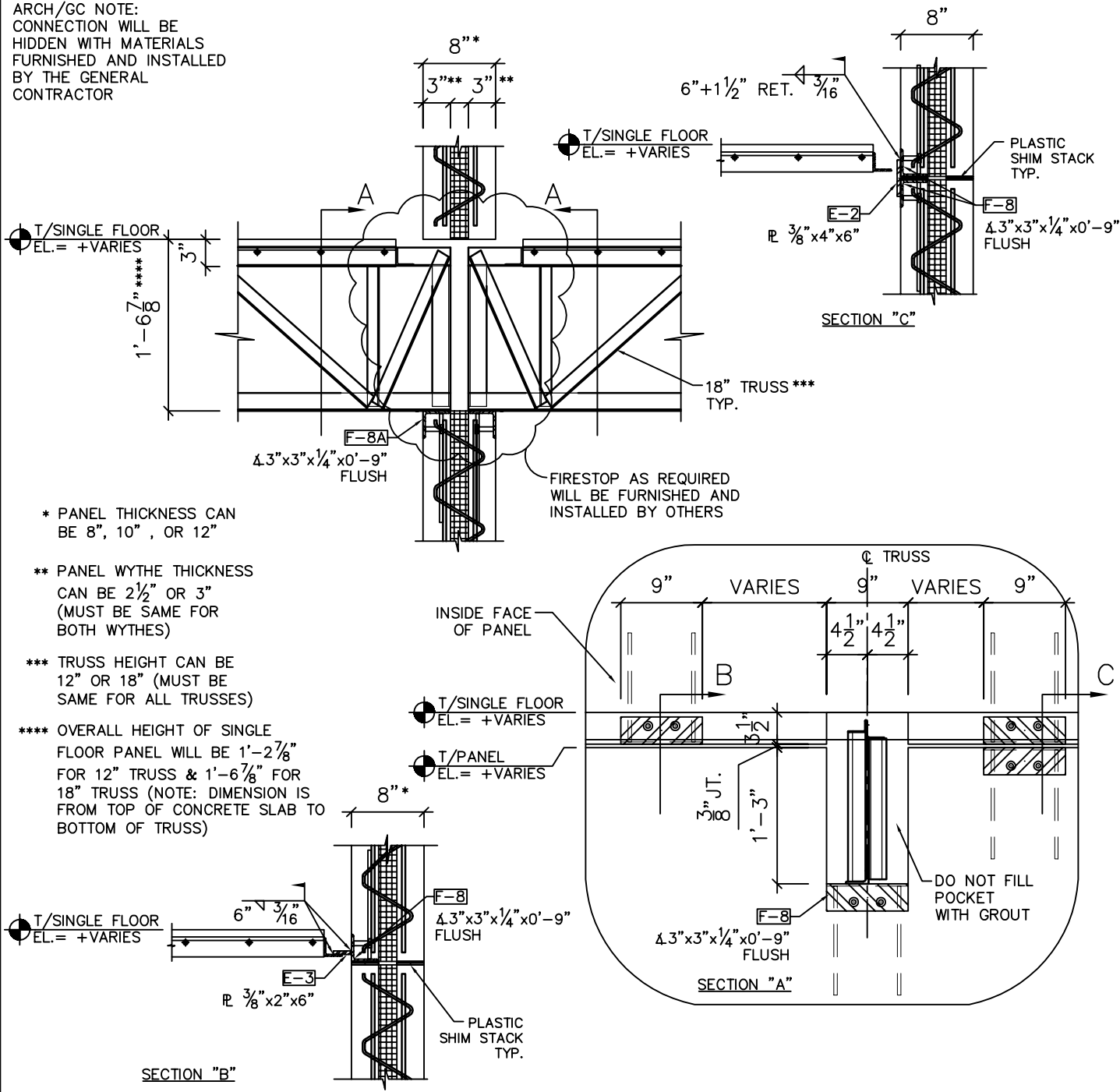
JOB NO.:



## Single Floor Interior Wall Bearing Detail

Note:

ARCH/GC NOTE:  
CONNECTION WILL BE  
HIDDEN WITH MATERIALS  
FURNISHED AND INSTALLED  
BY THE GENERAL  
CONTRACTOR



REVISIONS:

DATE:

APPROVED FOR PRODUCTION:

FILENAME:

DR:

DATE:

\*

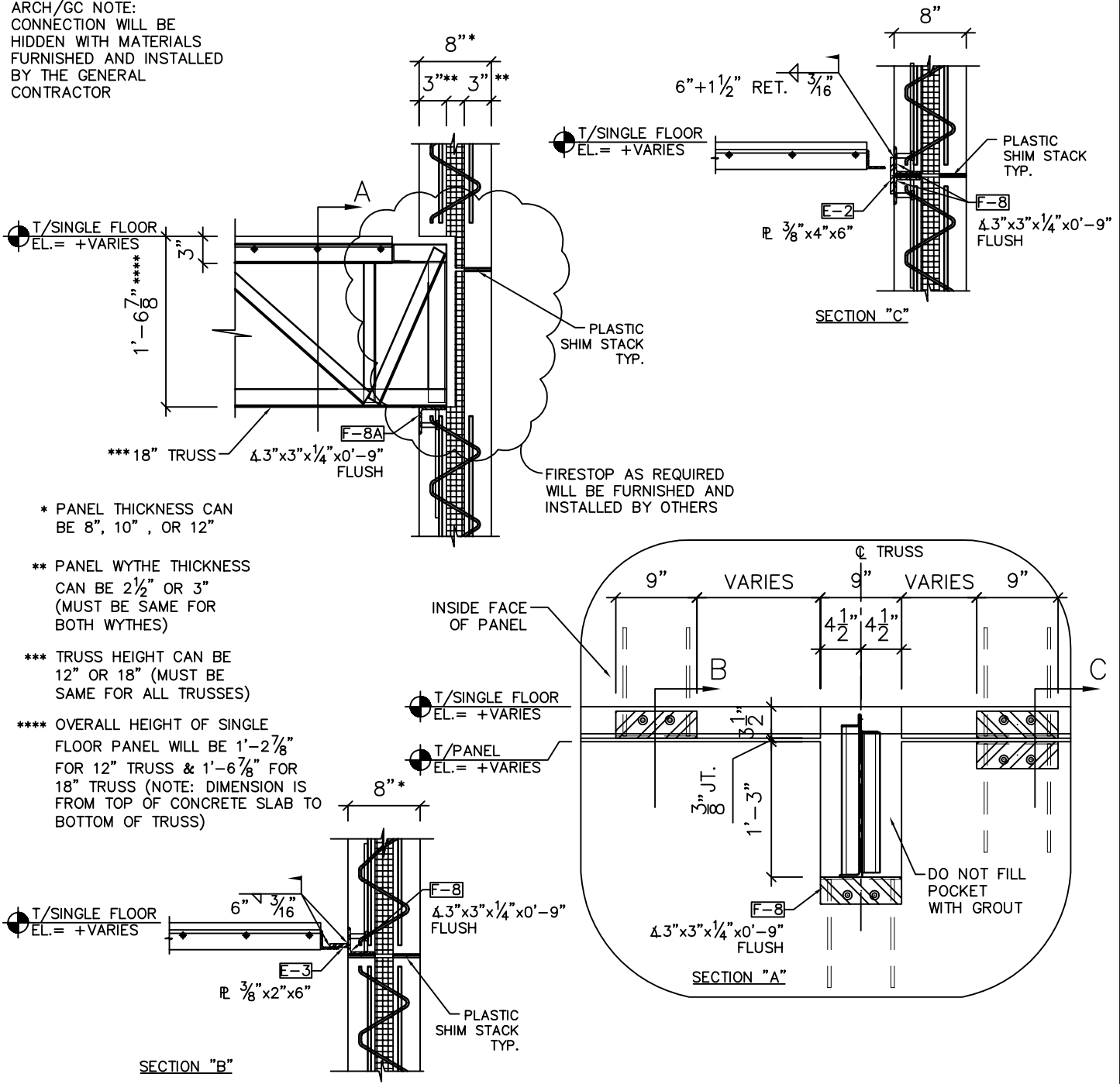
CK:

JOB NO.:

## Single Floor Bearing Detail

Note:

ARCH/GC NOTE:  
CONNECTION WILL BE  
HIDDEN WITH MATERIALS  
FURNISHED AND INSTALLED  
BY THE GENERAL  
CONTRACTOR



REVISIONS:	DATE:	APPROVED FOR PRODUCTION:	FILENAME:
	DR:	DATE:	*
	CK:	JOB NO.:	

## Single Floor Bearing Detail @ Roof

Note:

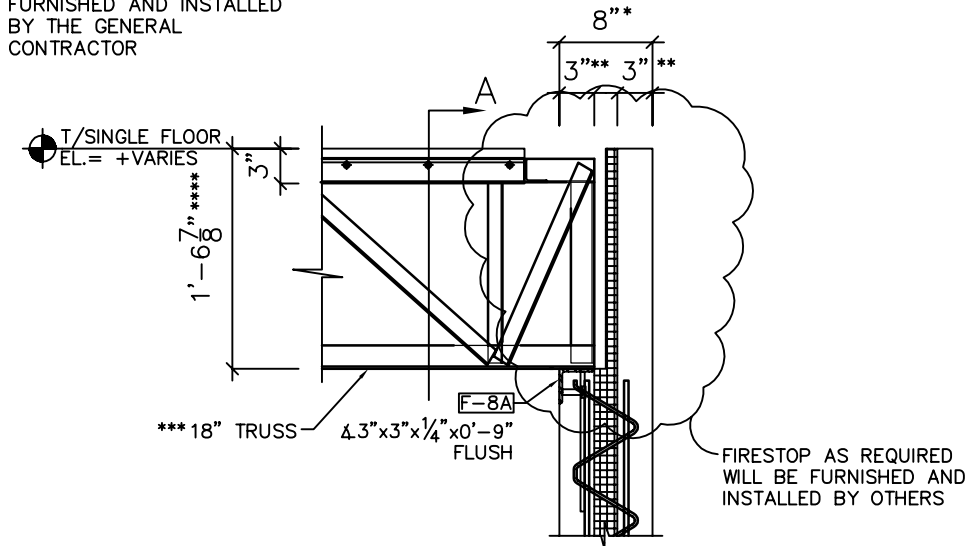
ARCH/GC NOTE:  
CONNECTION WILL BE  
HIDDEN WITH MATERIALS  
FURNISHED AND INSTALLED  
BY THE GENERAL  
CONTRACTOR

\* PANEL THICKNESS CAN  
BE 8", 10", OR 12"

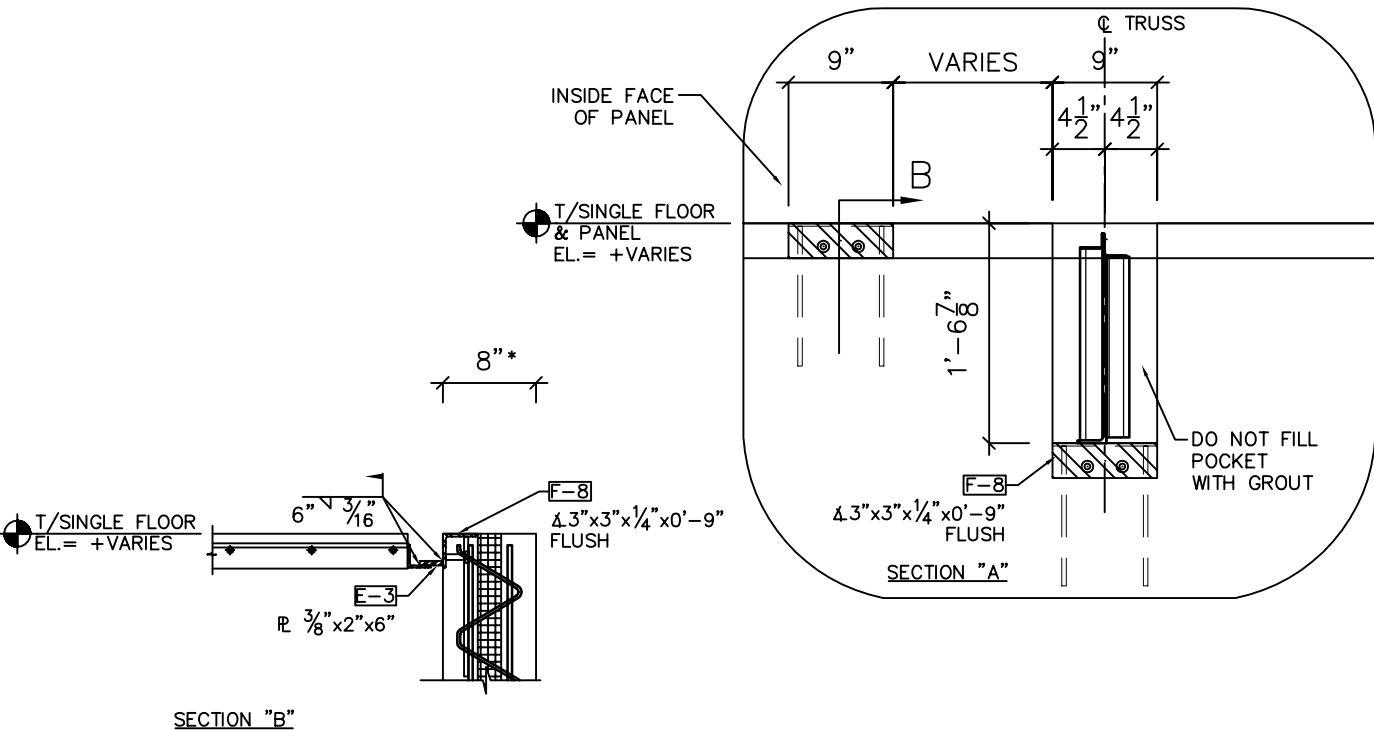
\*\* PANEL WYTHE THICKNESS  
CAN BE 2½" OR 3"  
(MUST BE SAME FOR  
BOTH WYTHES)

\*\*\* TRUSS HEIGHT CAN BE  
12" OR 18" (MUST BE  
SAME FOR ALL TRUSSES)

\*\*\*\* OVERALL HEIGHT OF SINGLE  
FLOOR PANEL WILL BE 1'-2⅞"  
FOR 12" TRUSS & 1'-6⅞" FOR  
18" TRUSS (NOTE: DIMENSION IS  
FROM TOP OF CONCRETE SLAB TO  
BOTTOM OF TRUSS)



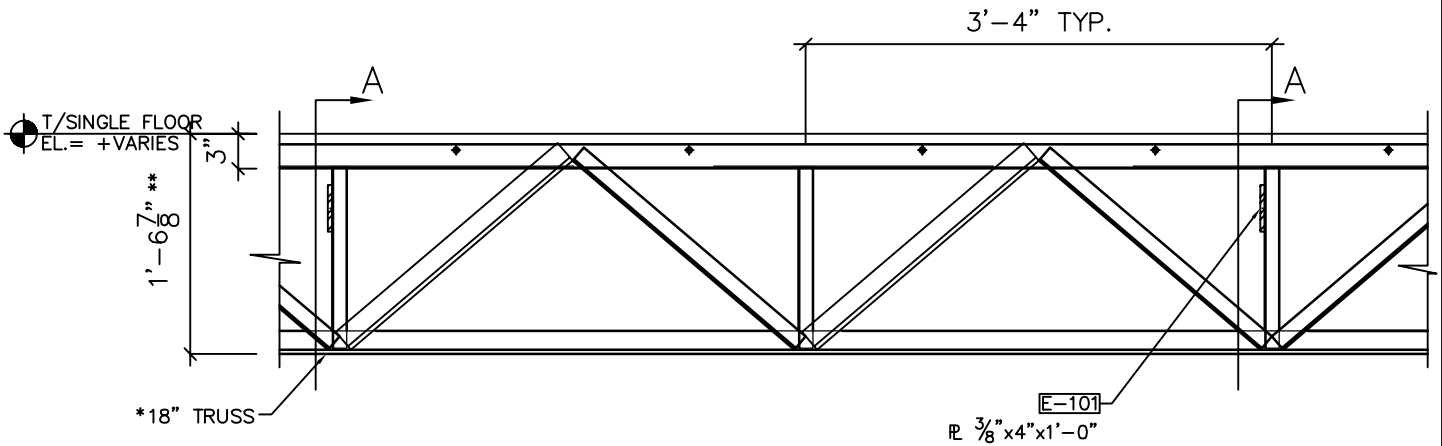
FIRESTOP AS REQUIRED  
WILL BE FURNISHED AND  
INSTALLED BY OTHERS



REVISIONS:	DATE:	APPROVED FOR PRODUCTION:	FILENAME:
	DR:	DATE:	*
	CK:	JOB NO.:	

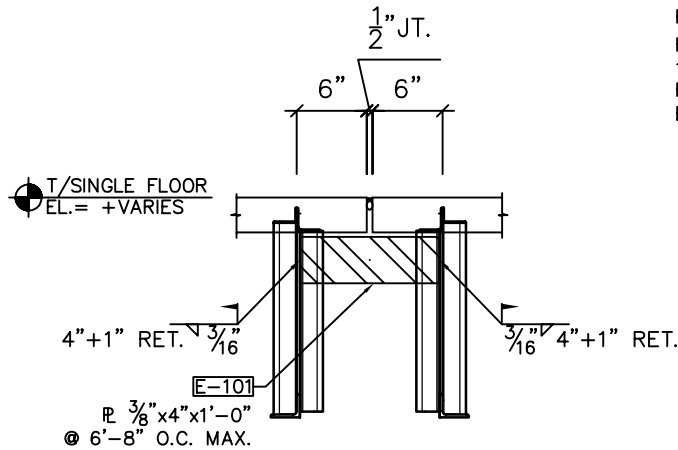
# Single Floor To Single floor Connection

Note:



\* TRUSS HEIGHT CAN BE 12" OR 18" (MUST BE SAME FOR ALL TRUSSES)

\*\* OVERALL HEIGHT OF SINGLE FLOOR PANEL WILL BE 1'-2 <sup>7</sup>/<sub>8</sub>" FOR 12" TRUSS & 1'-6 <sup>7</sup>/<sub>8</sub>" FOR 18" TRUSS (NOTE: DIMENSION IS FROM TOP OF CONCRETE SLAB TO BOTTOM OF TRUSS)

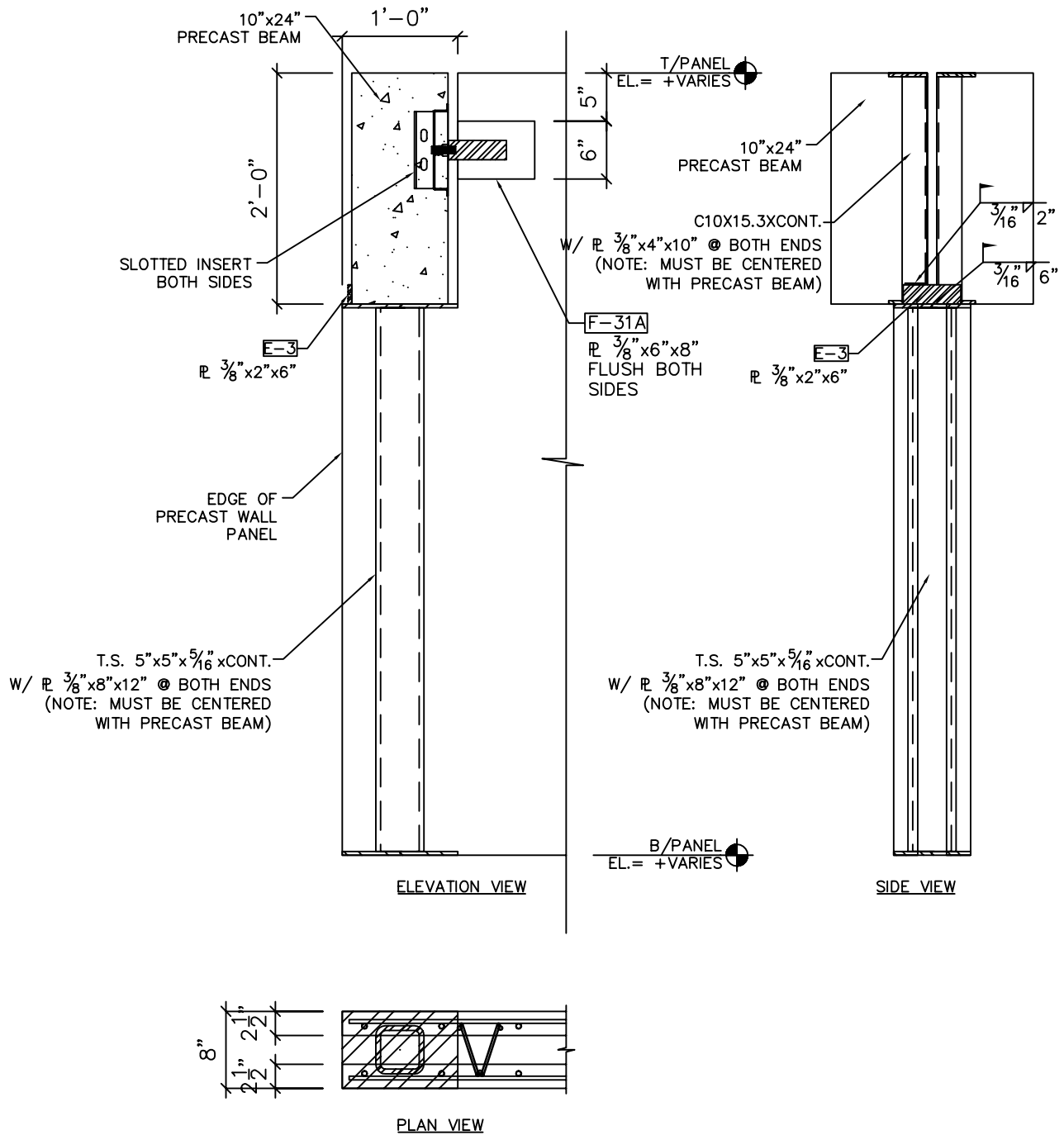


SECTION "A"

REVISIONS:	DATE:	APPROVED FOR PRODUCTION:	FILENAME:  *
	DR:	DATE:	
	CK:	JOB NO.:	

# Precast Beam Bearing Detail

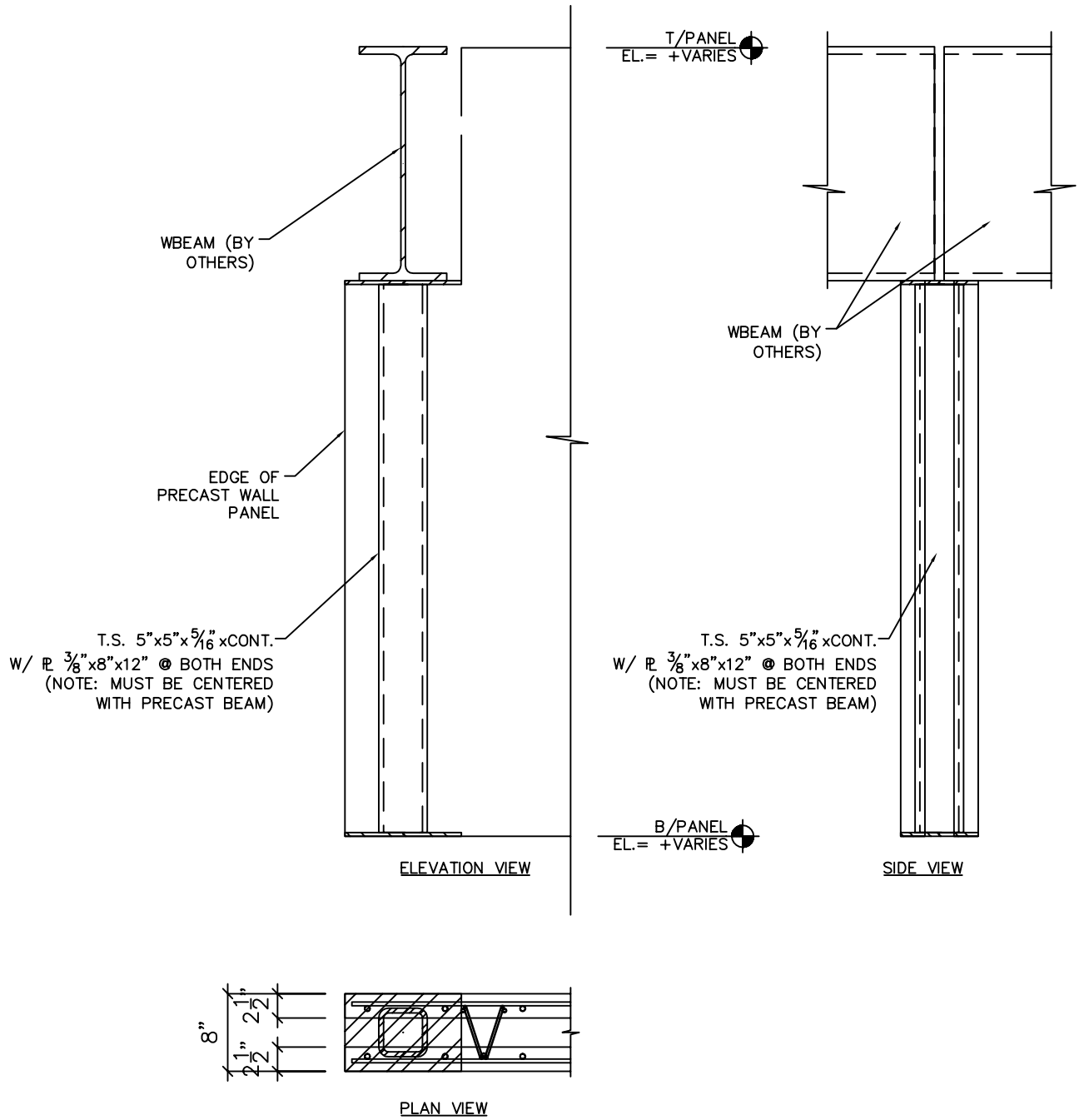
Note:



REVISIONS:	DATE:	APPROVED FOR PRODUCTION:	FILENAME:  *
	DR:	DATE:	
	CK:	JOB NO.:	

# Steel Beam Bearing Detail

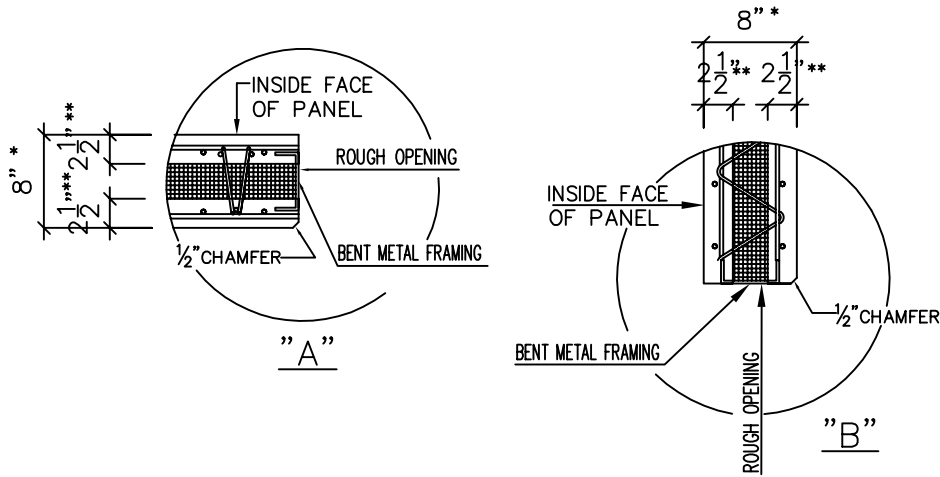
Note:



REVISIONS:	DATE:	APPROVED FOR PRODUCTION:	FILENAME:  *
	DR:	DATE:	
	CK:	JOB NO.:	

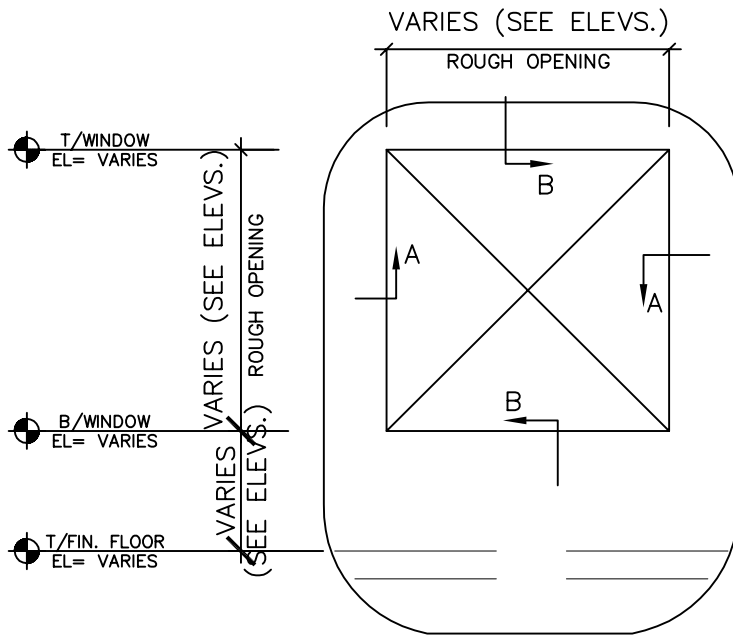
## Window Detail

Note:



\* PANEL THICKNESS CAN BE 8", 10", OR 12"

\*\* PANEL WYTHE THICKNESS CAN BE 2 1/2" OR 3" (MUST BE SAME FOR BOTH WYTHES)



REVISIONS:

DATE:

APPROVED FOR PRODUCTION:

FILENAME:

DR:

DATE:

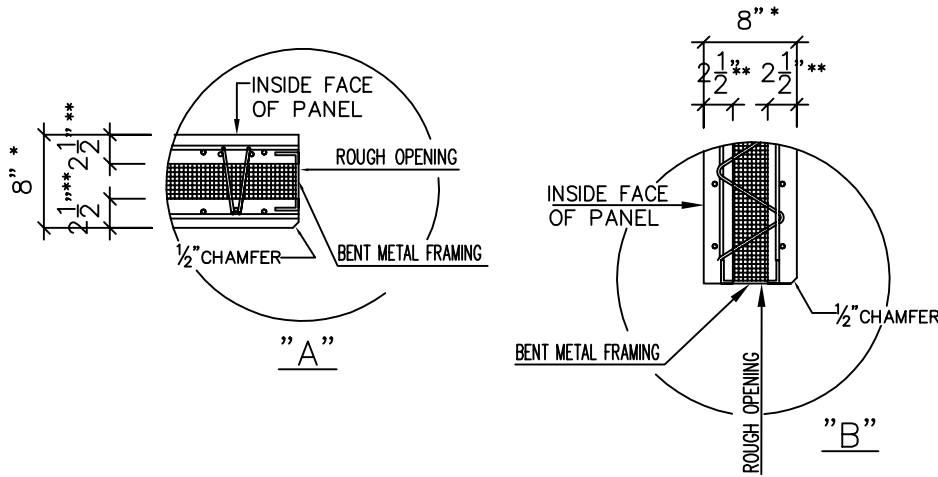
\*

CK:

JOB NO.:

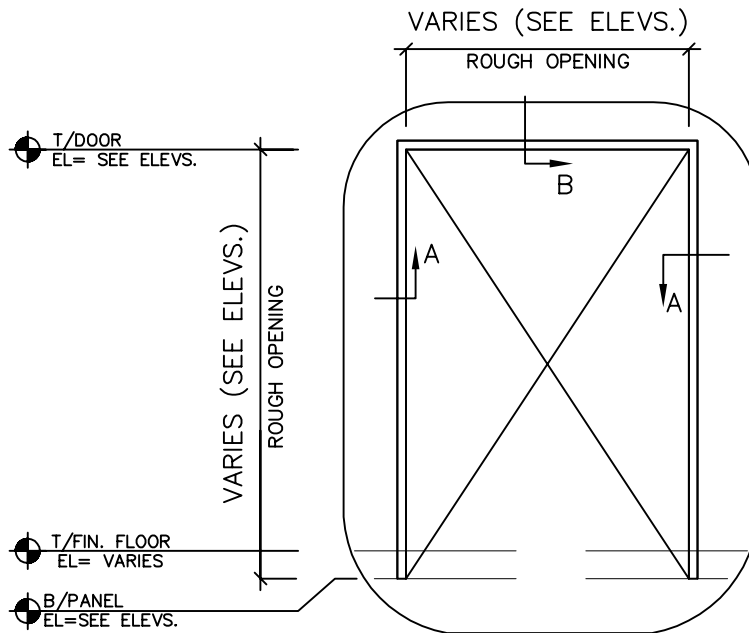
Door Detail

Note:



\* PANEL THICKNESS CAN BE 8", 10" , OR 12"

\*\* PANEL WYTHE THICKNESS CAN BE 2 1/2" OR 3" (MUST BE SAME FOR BOTH WYTHES)



REVISIONS:	DATE:	APPROVED FOR PRODUCTION:	FILENAME:  *
	DR:	DATE:	
	CK:	JOB NO.:	