

dukane|precast - SINGLE FLOOR SYSTEM

Dukane Precast Building Systems

SINGLE FLOOR SYSTEM—Features & Benefits :

- Smooth, flat finish on floor surface — NO field applied leveling topping is required
- Up to 40-foot spans, & 10-foot wide floor sections allows for rapid placement
- Allows for HVAC, Electrical & Plumbing chases within truss cavity space
- No need for “drop ceilings” — dramatically saving time & money



Dukane Precast DELIVERS for you!

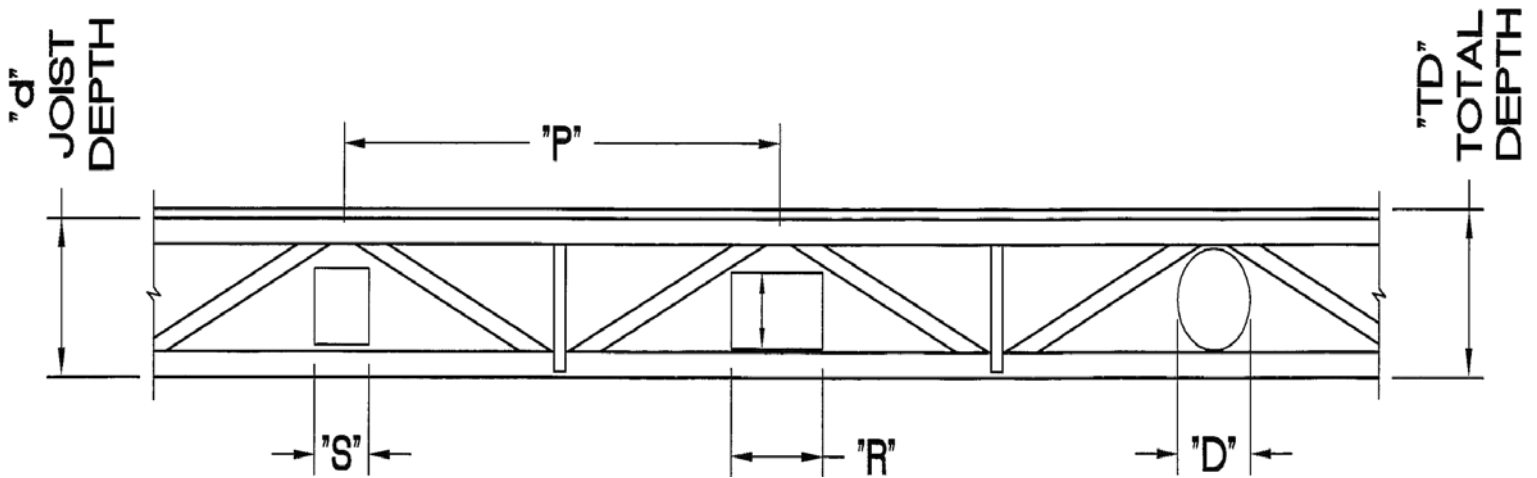
Dukane Precast

1805 High Grove Lane Naperville, IL 60540

Phone: 630.355.8118 Fax: 630.355.0441

dukane | precast

SINGLE FLOOR SYSTEM



d	MAX SPAN	TD	P	D	S	R
12 1/2"	30'-0"	13 1/4"	48"	8"	6"	10"x 6"
18"	40'-0"	18 3/4"	40"	12"	9"	16"x 6"



SINGLE FLOOR USES:

School Dormitories • Multi-Family • Condos • Senior Housing • Hotels
Townhomes • Single Family Homes • Mixed Use Buildings