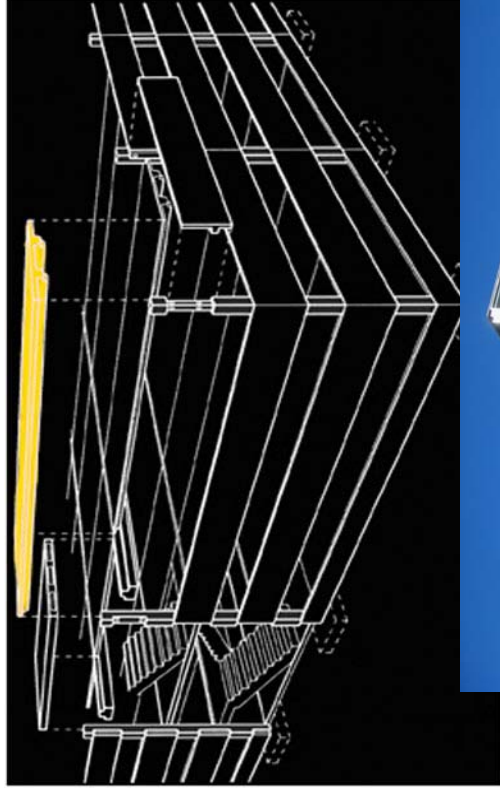


SECTION-5

Parking Structure Details



dukane precast

10FT DT SECTION AND BRG

REVISIONS

DATE:

DRAWN BY:

SHEET NO.:

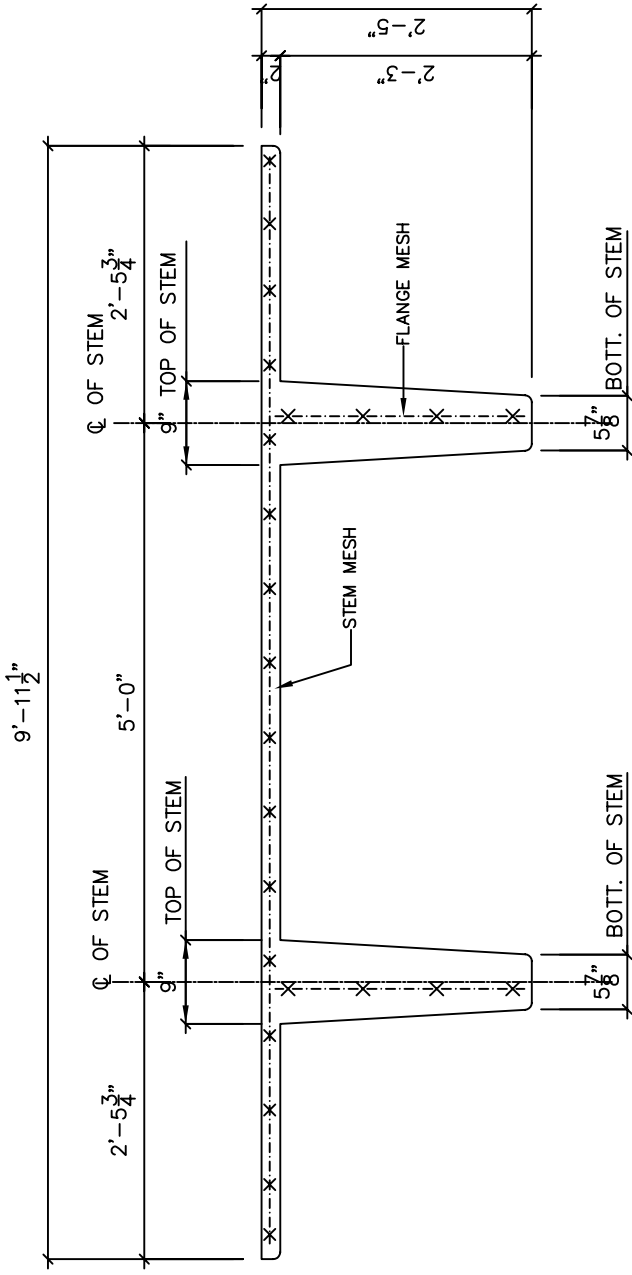
1

JOB NO.

CHECKED BY:

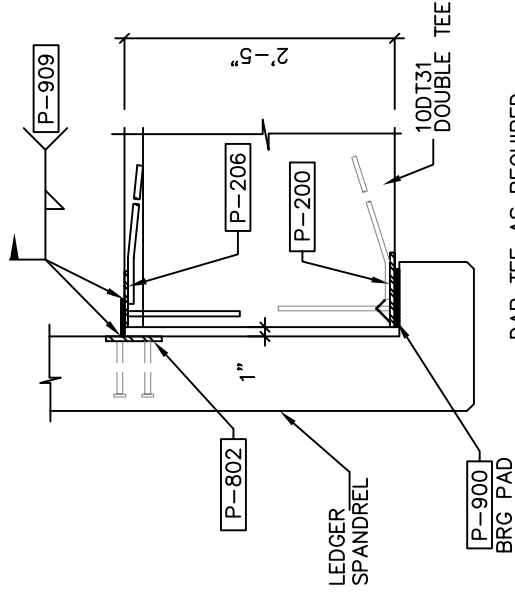
OF:

1



10'-0" TEE WITH 2" FLANGE

DBL TEE SECTION



DBL TEE BRG SECTION DETAIL

dukane precast

12FT DT SECTION AND BRG

REVISIONS

DATE:

DRAWN BY:

SHEET NO.:

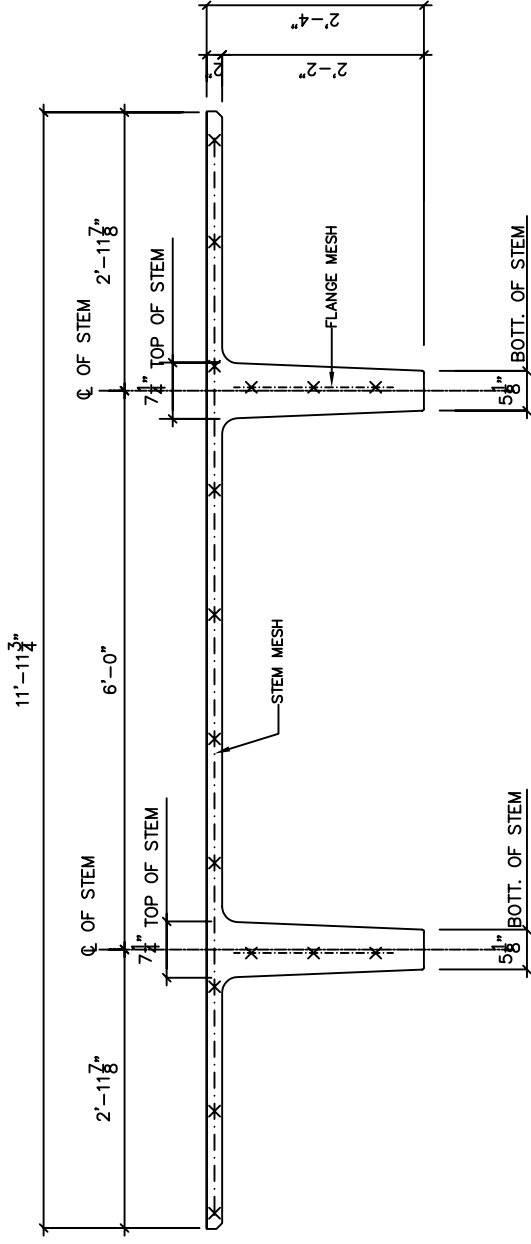
1

JOB NO.

CHECKED BY:

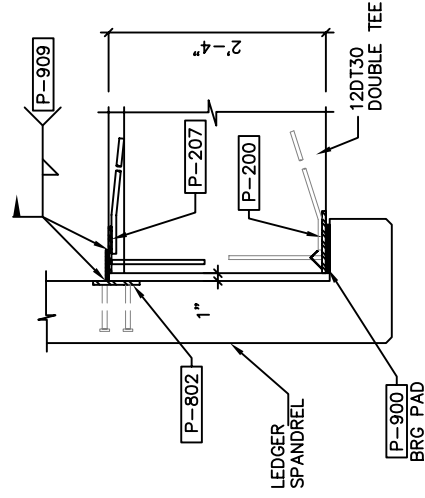
OF:

1



12'-0" TEE WITH 2" FLANGE

DBL TEE SECTION



DAP TEE AS REQUIRED
TO ACQUIRE VERTICAL HEIGHT

DBL TEE BEARING DETAIL

dukane precast

wall parallel
to DT span

REVISIONS

DATE:

DRAWN BY:

SHEET NO.:

JOB NO.

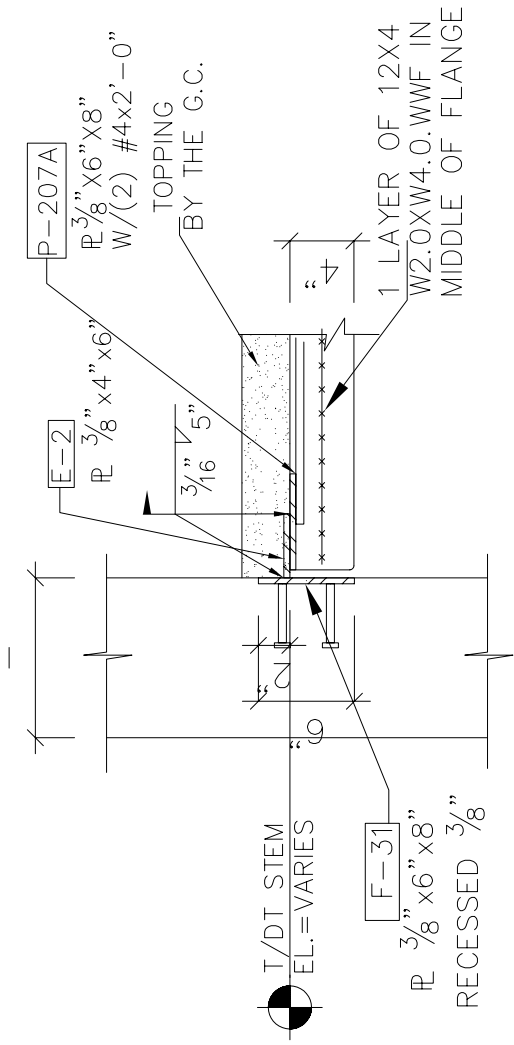
CHECKED BY:

OF:

1

1

NOTE:
PREFERRED DETAIL.
BETTER AT
TRANSFERRING
HORIZONTAL LOADS.



dukane precast

REVISIONS

DATE:

DRAWN BY:

SHEET NO.:

ALIGNMENT DETAIL

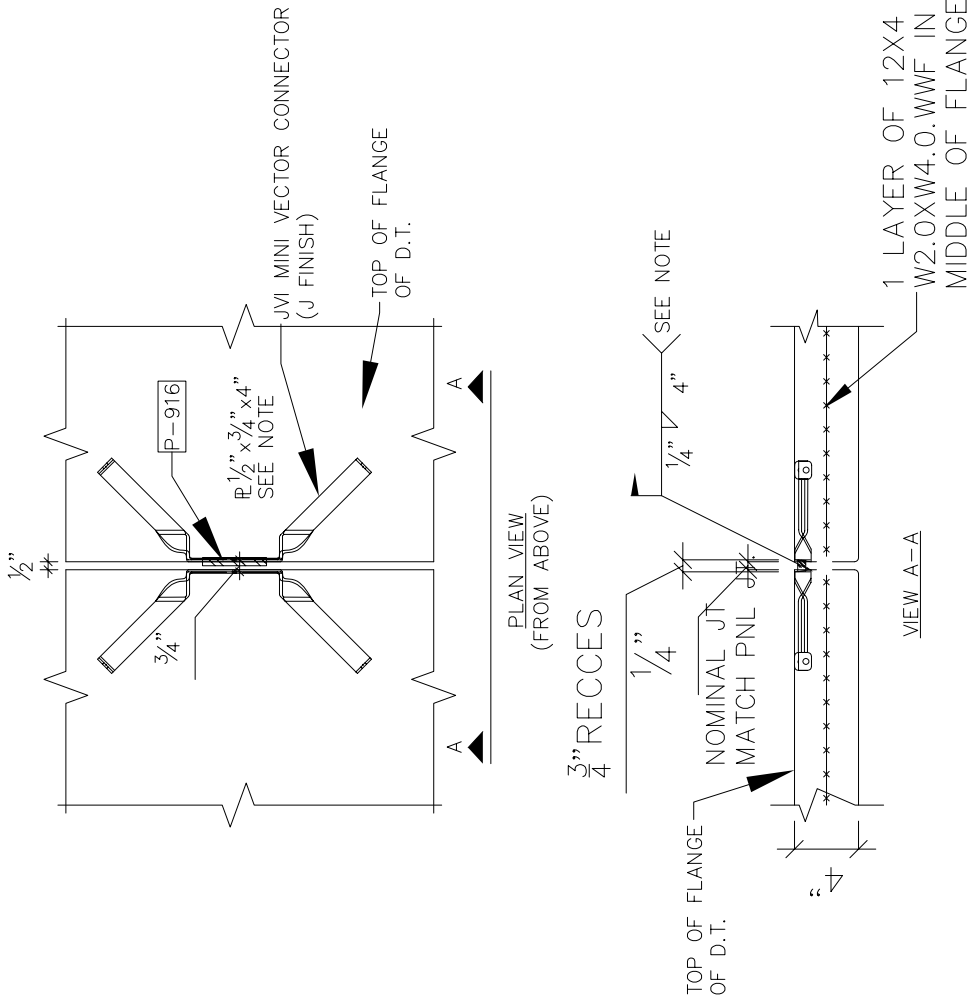
JOB NO.

CHECKED BY:

OF:

1

1



NOTE:

- 1.- BOTH JOINT SURFACE TO BE GROUND TO SOUND CONCRETE BEFORE CAULKING

BACKER ROD AND JOINT SEALANT NOT SHOWN FOR CLARITY

dukane precast

DT brg @ IT

REVISIONS

DATE:

DRAWN BY:

SHEET NO.:

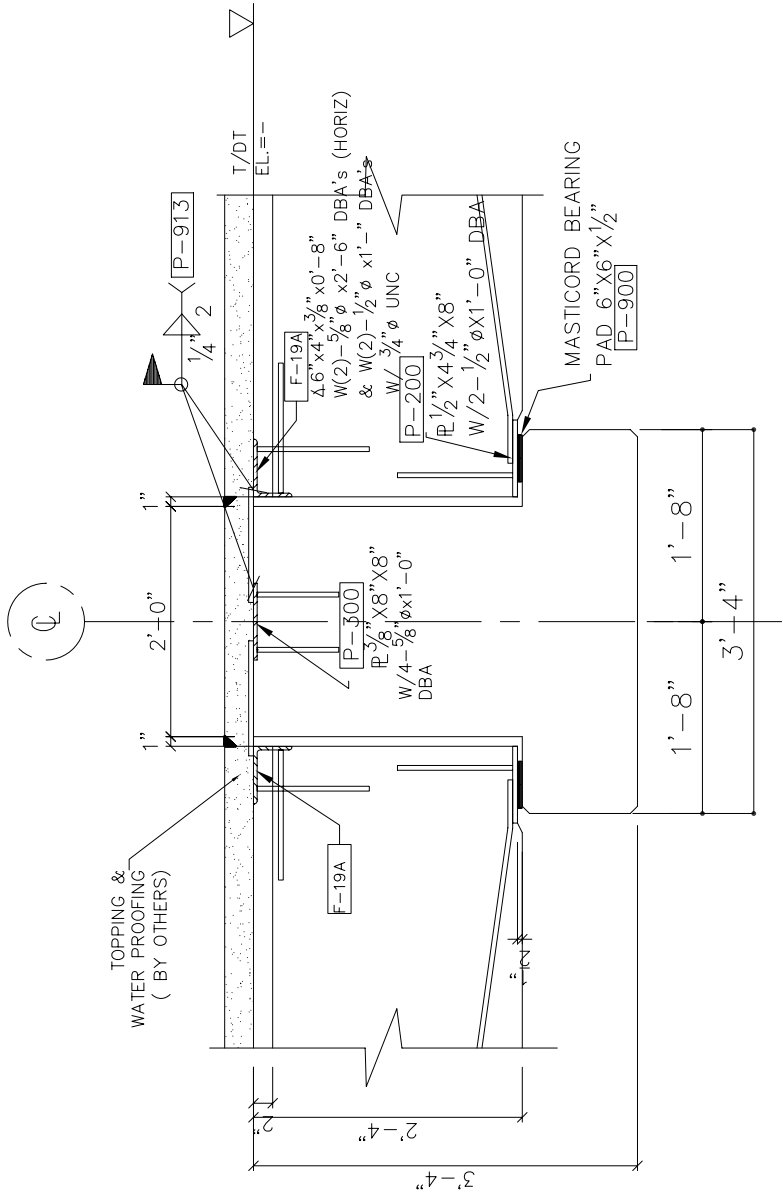
JOB NO.

CHECKED BY:

OF:

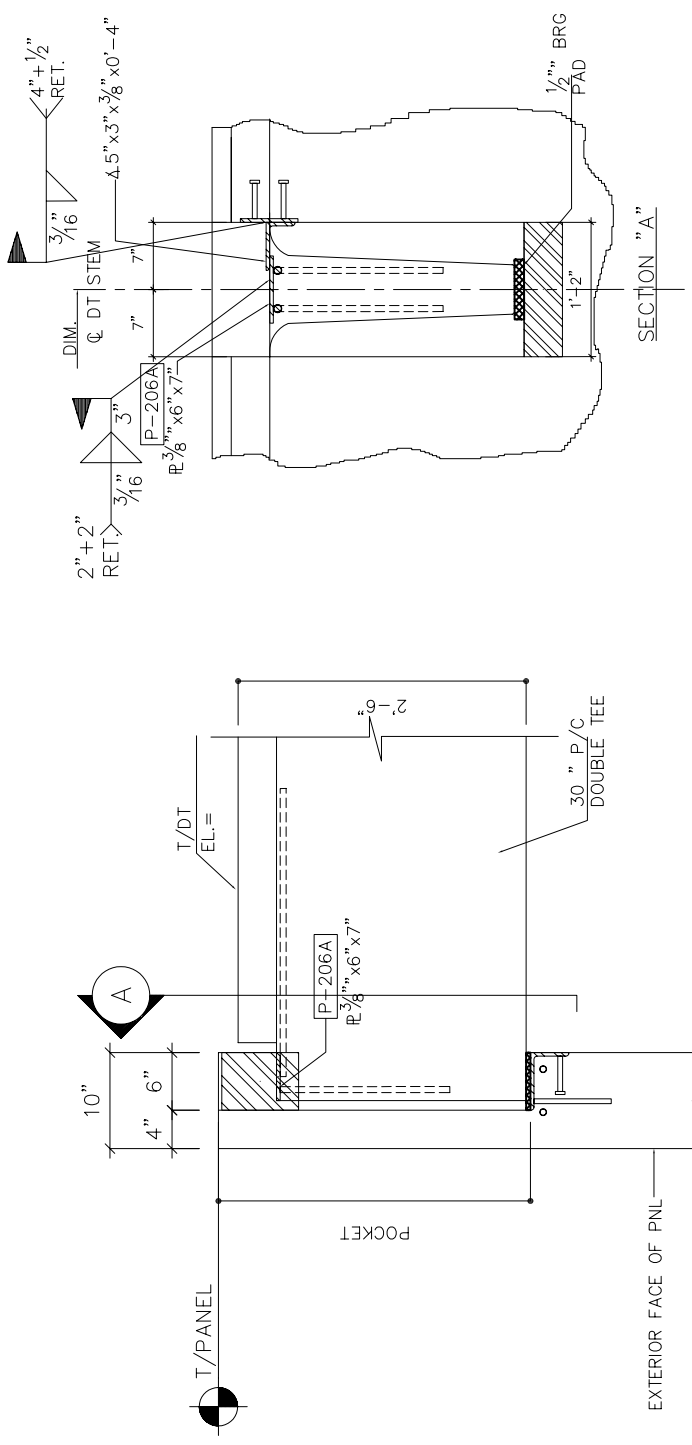
1

1



dukane precast

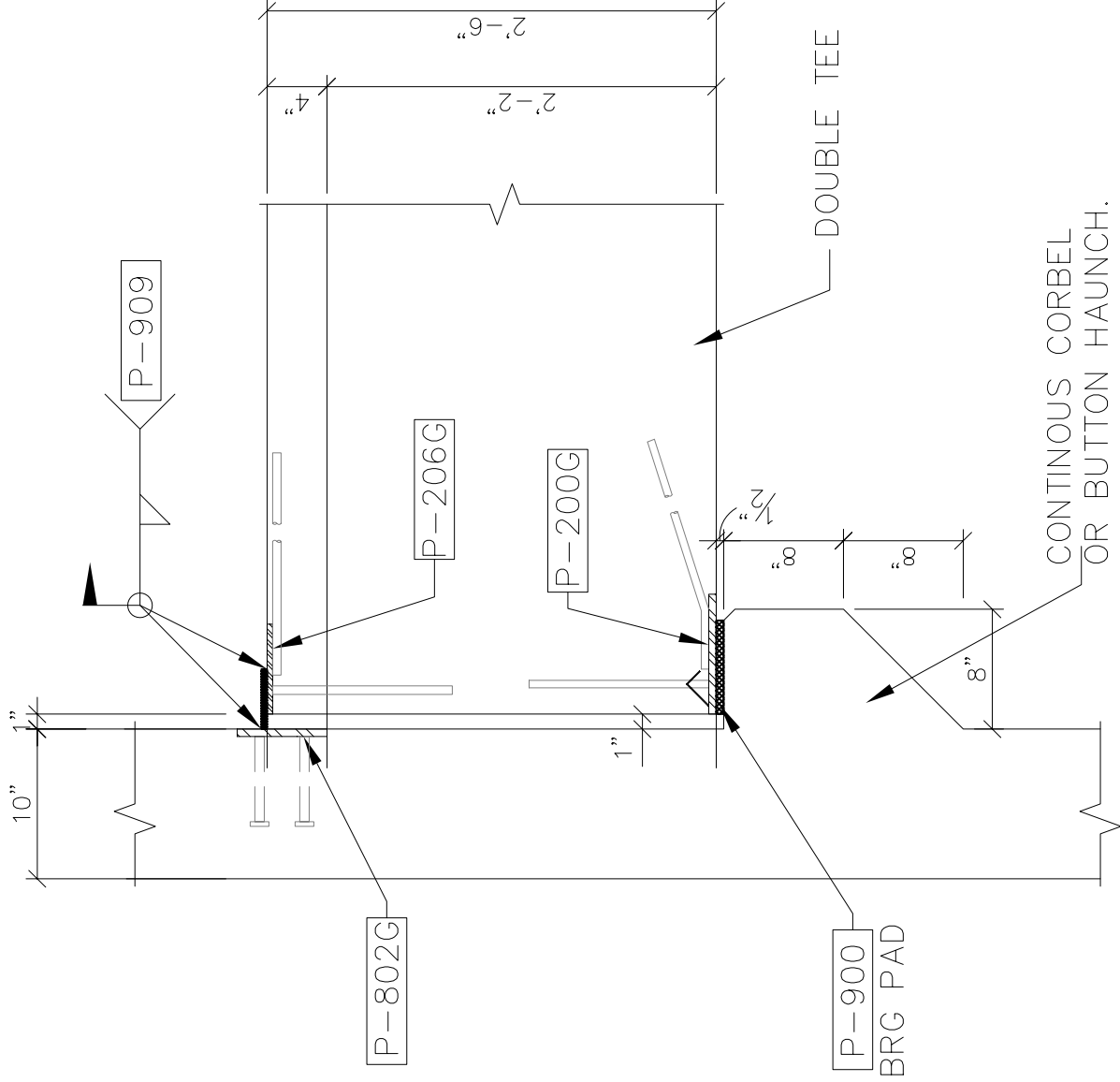
DT BRG @ <u>POCKET</u>	REVISIONS	DATE:	DRAWN BY:	SHEET NO.: 1
		JOB NO.:	CHECKED BY:	OF: 1



dukane precast

REVISIONS	DATE:	DRAWN BY:	SHEET NO.: 1
	JOB NO.:	CHECKED BY:	OF: 1

DT brg @ Haunch



dukane precast

**DT BRG @
WALL PANEL**

REVISIONS

DATE:

DRAWN BY:

SHEET NO.:

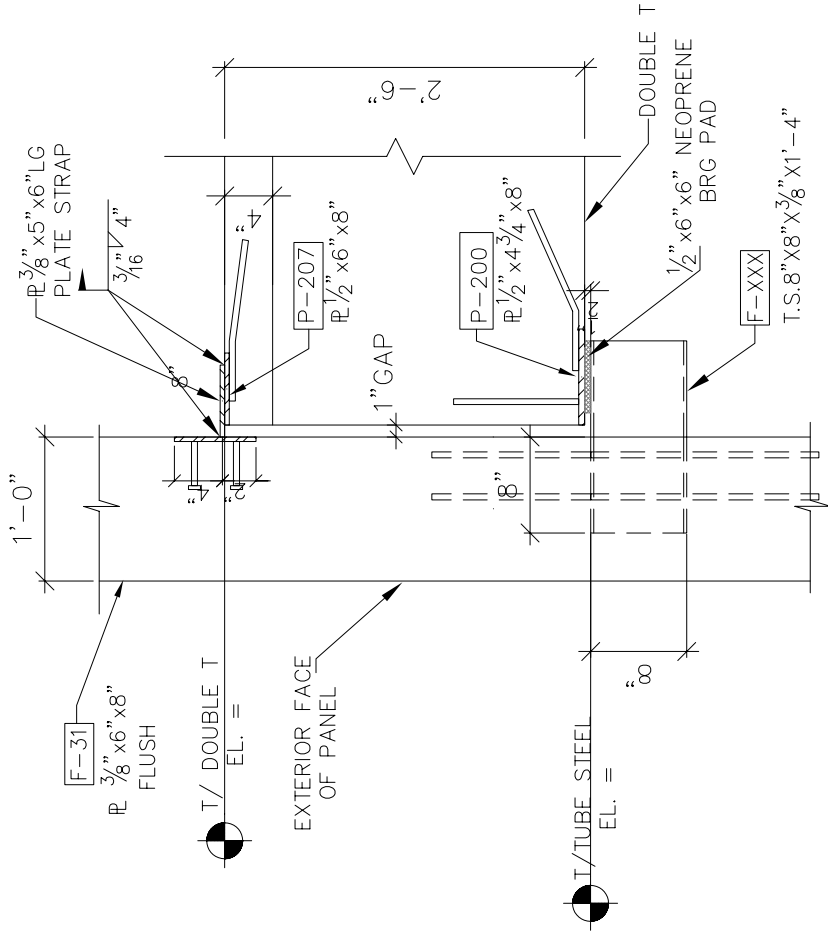
JOB NO.

CHECKED BY:

OF:

1

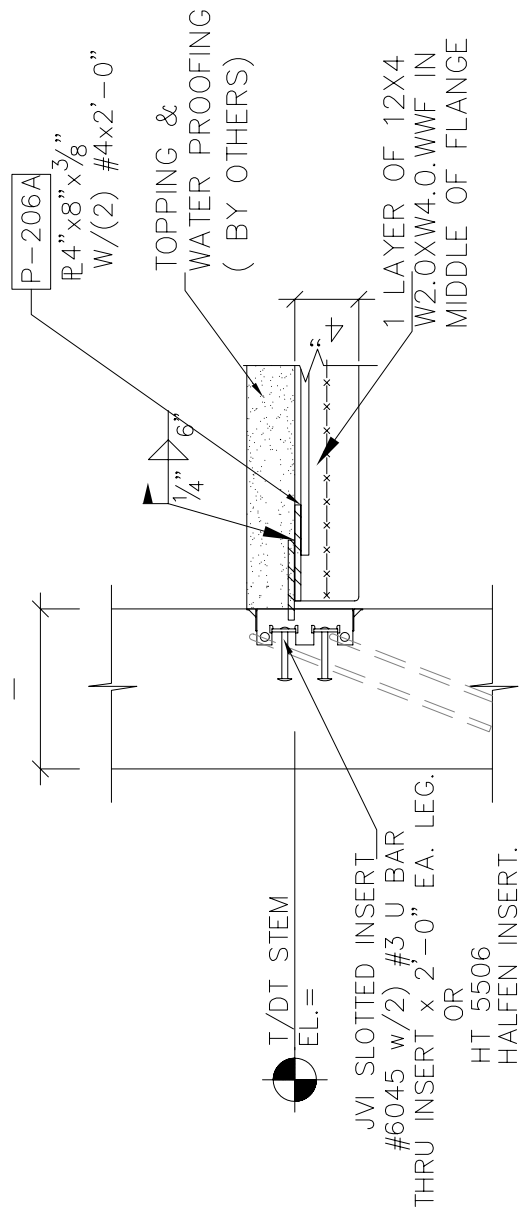
1



dukane precast

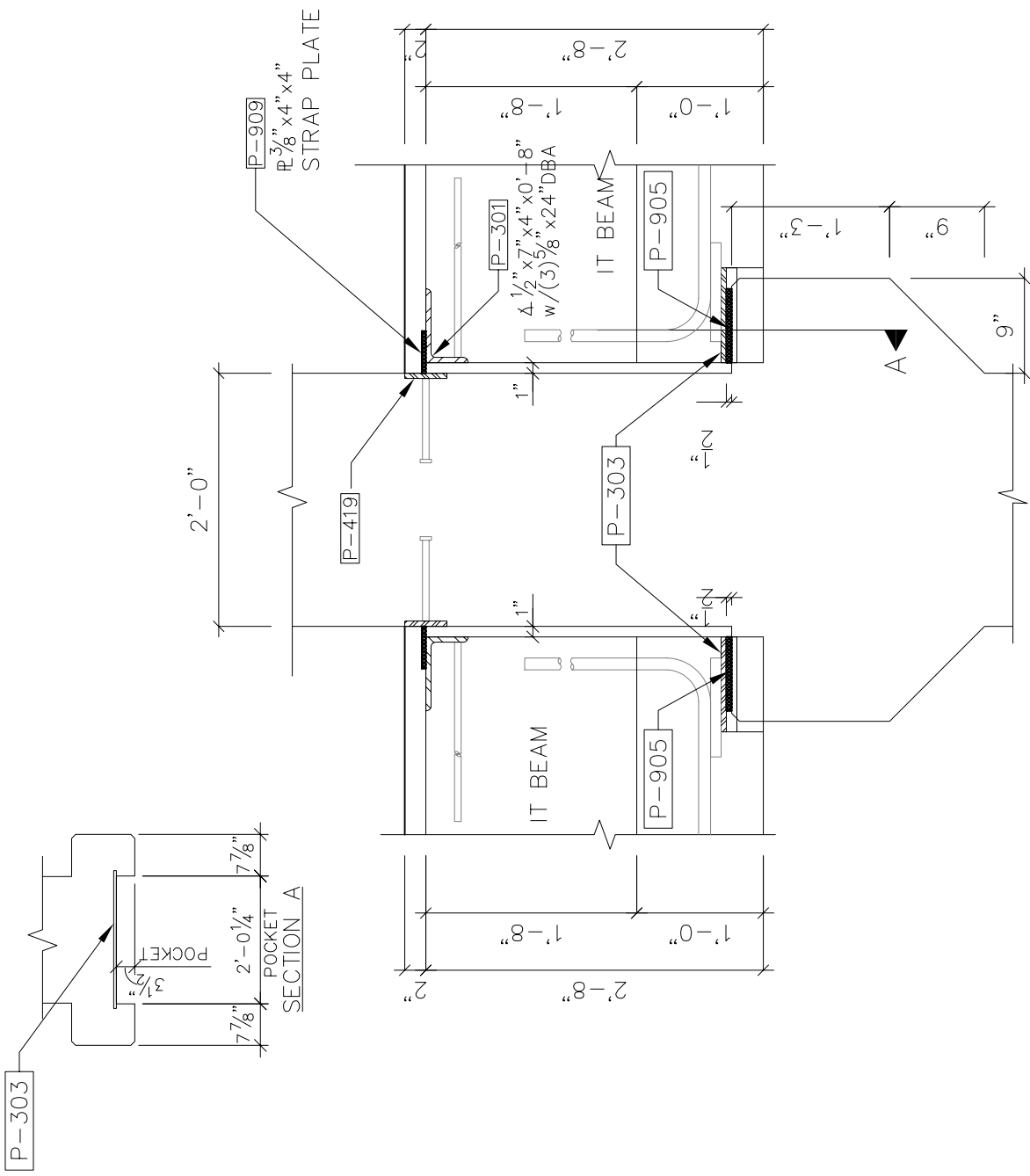
<u>wall parallel</u> <u>to DT span</u> (SLOTTED)	REVISIONS	DATE:	DRAWN BY:	SHEET NO.: 1
		JOB NO.	CHECKED BY:	OF: 1

NOTE:
LIMITED CAPACITY
FOR SHEAR.



dukane precast

IT BEAM BRG @ COL.	REVISIONS	DATE:	DRAWN BY:	SHEET NO.: 1
		JOB NO.:	CHECKED BY:	OF: 1



- ERECTOR NOTES:
1. DT NOT SHOWN FOR CLARITY.

dukane precast

IT BRG @ WALL PANEL

REVISIONS

DATE:

DRAWN BY:

SHEET NO.:

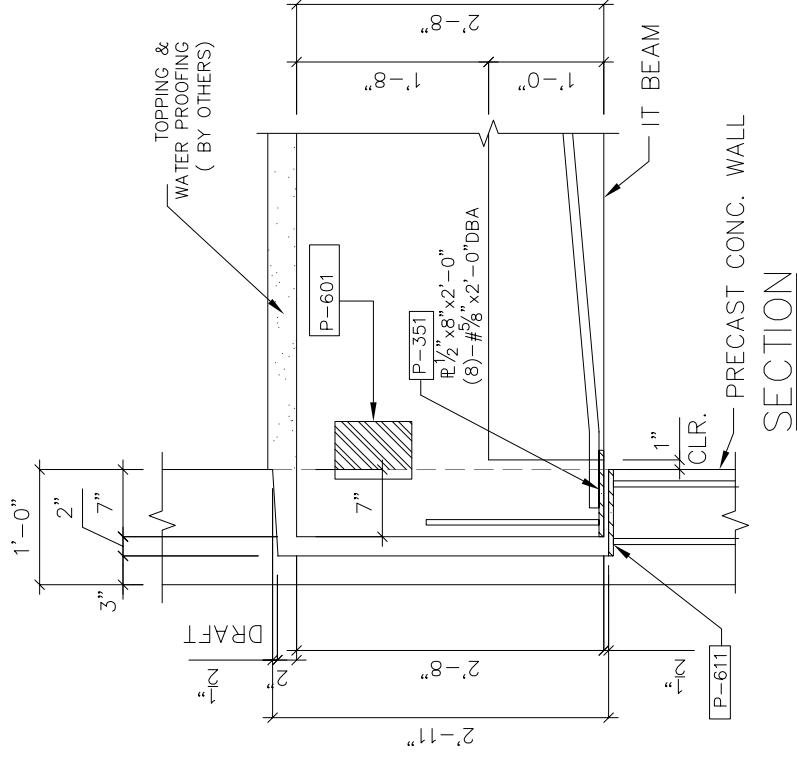
JOB NO.

CHECKED BY:

OF:

1

1



GRD

