



SECTION-3

Single Floor Details

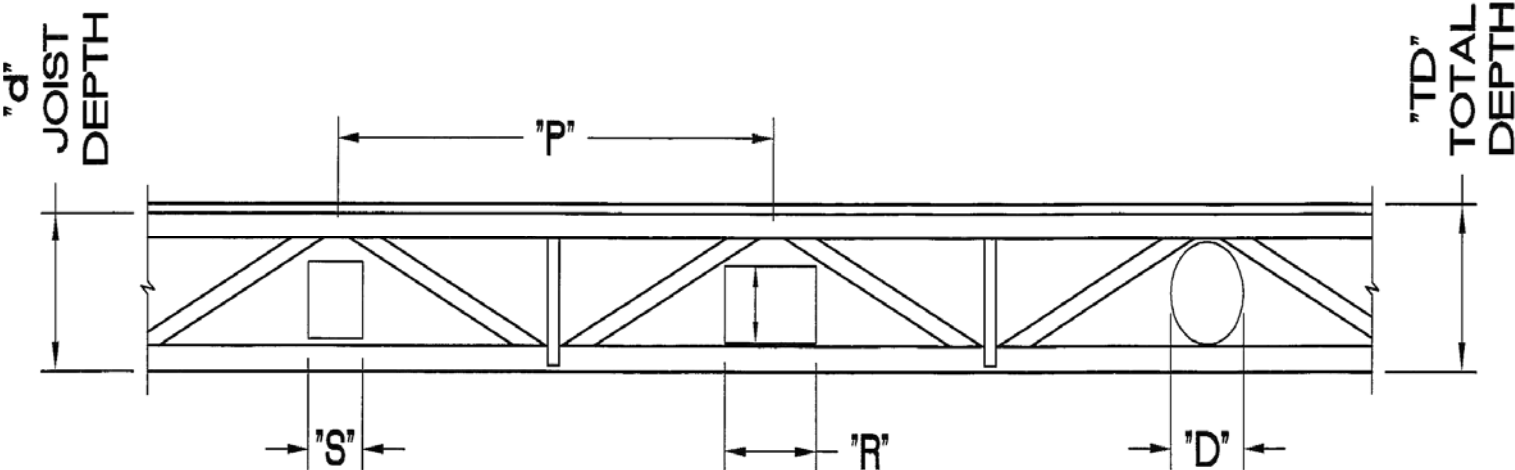
DUKANE PRECAST **SINGLE FLOOR SYSTEM:**

Features & Benefits of Dukane Precast **Single Floor System:**

- Smooth form finish — NO topping required
- Up to 40-foot spans
- Up to 12-foot wide sections
- Allows for HVAC, Electrical & Plumbing chases within truss cavity

dukane|precast

SINGLE FLOOR SYSTEM



d	MAX SPAN	TD	P	D	S	R
12 1/2"	30'-0"	13 1/4"	48"	8"	6"	10"x 6"
18"	40'-0"	18 3/4"	40"	12"	9"	16"x 6"



TYPICAL SINGLE FLOOR APPLICATIONS



School Dormitories • Multi Family • Condos • Senior Housing • Hotels
Townhomes • Single Family Homes & More